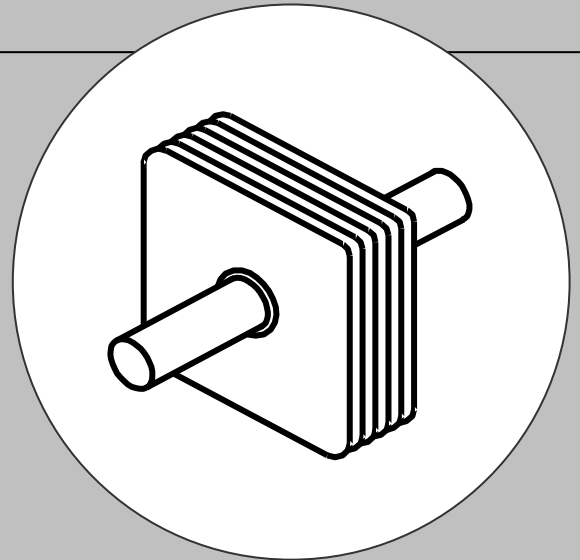


# Wallfin

## Catalog










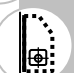







**MANUFACTURERS**

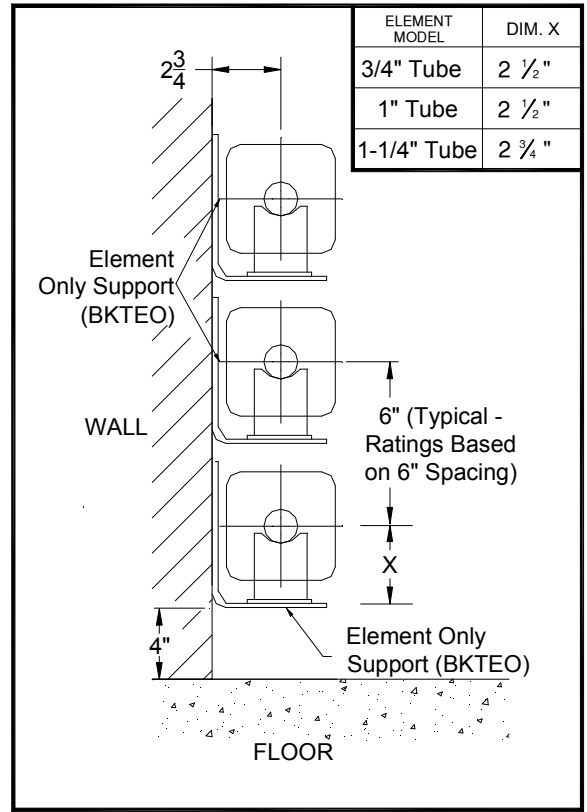
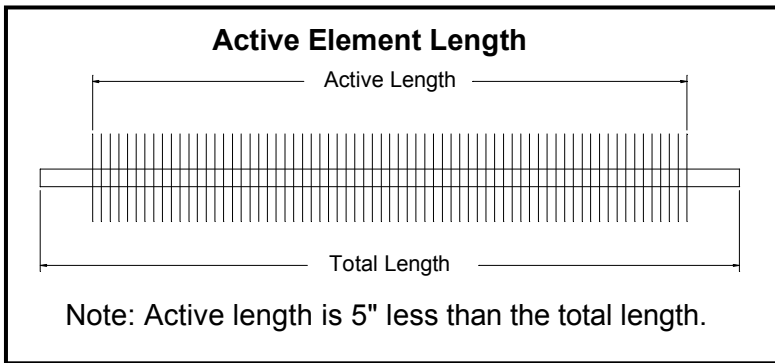
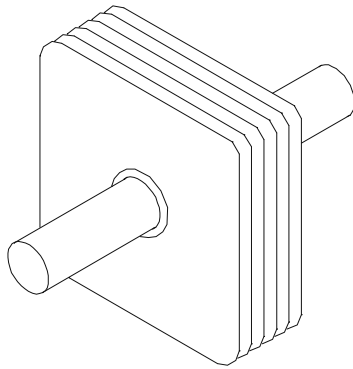
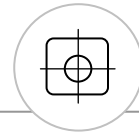
**OF HYDRONIC**

**HEATING**

**PRODUCTS**

[www.sigmaproducts.com](http://www.sigmaproducts.com) Tel: (905) 670-3200 Fax: (905) 670-3822

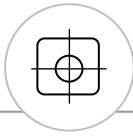
	DIMENSIONS AND CAPACITIES	ORDER SHEETS
	<b>BARE ELEMENT ..... 2</b>	<b>.....32</b>
	<b>SWE-S SLOPE TOP STANDARD WIDTH ENCLOSURE ..... 4</b>	<b>.....33</b>
	<b>SWE-T TOP OUTLET STANDARD WIDTH ENCLOSURE ..... 6</b>	<b>.....33</b>
	<b>SWE-F FRONT OUTLET STANDARD WIDTH ENCLOSURE ..... 8</b>	<b>.....33</b>
	<b>SWE-X EXPANDED METAL STANDARD WIDTH ENCLOSURE..... 10</b>	<b>.....34</b>
	<b>SWE-TF TOP OUTLET FRONT INLET STANDARD WIDTH ENCLOSURE ..... 12</b>	<b>.....35</b>
	<b>SWE-SS DOUBLE SLOPED STANDARD WIDTH ENCLOSURE..... 14</b>	<b>.....35</b>
	<b>SEC-FP-S SLOPED TOP FULLY PERFORATED SECURITY ENCLOSURE ..... 16</b>	<b>.....36</b>
	<b>SEC-PP-S SLOPED TOP PARTIAL PERFORATED SECURITY ENCLOSURE ..... 18</b>	<b>.....37</b>
	<b>FST-PT PEDESTAL TOP OUTLET FREE STANDING ENCLOSURE.. 20</b>	<b>.....38</b>
	<b>FST-P2T DOUBLE PEDESTAL TOP OUTLET FREE STANDING ENCLOSURE ..... 22</b>	<b>.....38</b>
	<b>SLM-S SLOPED TOP SLIMLINE ENCLOSURE..... 24</b>	<b>.....39</b>
	<b>SLM-T TOP OUTLET SLIMLINE ENCLOSURE ..... 26</b>	<b>.....39</b>
	<b>SBBW-S SLOPED TOP STANDARD BASEBOARD WIDE ENCLOSURE ..... 28</b>	<b>.....41</b>
	<b>SBBN-S SLOPED TOP STANDARD BASEBOARD NARROW ENCLOSURE ..... 30</b>	<b>.....40</b>



### AVAILABLE BARE ELEMENT MODELS

MODEL	DESCRIPTION
24C075	0.75" Copper Tube, 2.75" x 4.00" Aluminum Fin, 48 Fins Per Foot
24C100	1.00" Copper Tube, 2.75" x 4.00" Aluminum Fin, 48 Fins Per Foot
24C125	1.25" Copper Tube, 2.75" x 4.00" Aluminum Fin, 48 Fins Per Foot
44C075	0.75" Copper Tube, 4.00" x 4.00" Aluminum Fin, 48 Fins Per Foot
44C100	1.00" Copper Tube, 4.00" x 4.00" Aluminum Fin, 48 Fins Per Foot
44C125	1.25" Copper Tube, 4.00" x 4.00" Aluminum Fin, 48 Fins Per Foot
S125-4x4	1.25" Steel Tube, 4.25" x 4.25" Steel Fin, 40 Fins Per Foot

Note: All elements available in standard lengths from 2 to 8 feet in 1 foot increments.

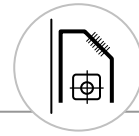


**CAPACITIES FOR BARE ELEMENT (BTUH/FT AT 65°F ENTERING AIR TEMPERATURE)**

Model	Rows	C/C (in)	Steam (1 psi 215°F)	Average Water Temperature (°F)							
				210	200	190	180	170	160	150	140
24C075	1	-	1332	1266	1146	1039	919	813	706	600	533
	2	6	1868	1774	1606	1457	1289	1139	990	841	747
	3	6	2966	2818	2551	2314	2047	1809	1572	1335	1187
24C100	1	-	1299	1234	1117	1013	897	793	689	585	520
	2	6	2269	2156	1951	1770	1566	1384	1203	1021	908
	3	6	2903	2758	2497	2264	2003	1771	1539	1306	1161
24C125	1	-	1306	1241	1123	1019	901	797	692	588	522
	2	6	1832	1741	1576	1429	1264	1118	971	825	733
	3	6	2916	2770	2508	2274	2012	1779	1545	1312	1166
44C075	1	-	1826	1734	1570	1424	1260	1114	968	822	730
	2	6	3175	3016	2730	2476	2191	1937	1683	1429	1270
	3	6	4085	3880	3513	3186	2818	2492	2165	1838	1634
44C100	1	-	1932	1836	1662	1507	1333	1179	1024	870	773
	2	6	3375	3206	2902	2632	2329	2059	1789	1519	1350
	3	6	4318	4102	3713	3368	2979	2634	2289	1943	1727
44C125	1	-	1885	1791	1621	1470	1301	1150	999	848	754
	2	6	3266	3103	2809	2548	2254	1993	1731	1470	1307
	3	6	4209	3998	3620	3283	2904	2567	2231	1894	1684
S125-4x4	1	-	1490	1416	1281	1162	1028	909	790	671	596
	2	6	2507	2382	2156	1955	1730	1529	1329	1128	1003
	3	6	3187	3028	2741	2486	2199	1944	1689	1434	1275

Notes: 1. "C/C" column indicates center to center offset of tiered element.  
2. Capacities derived with element oriented with 4" dimension in horizontal.



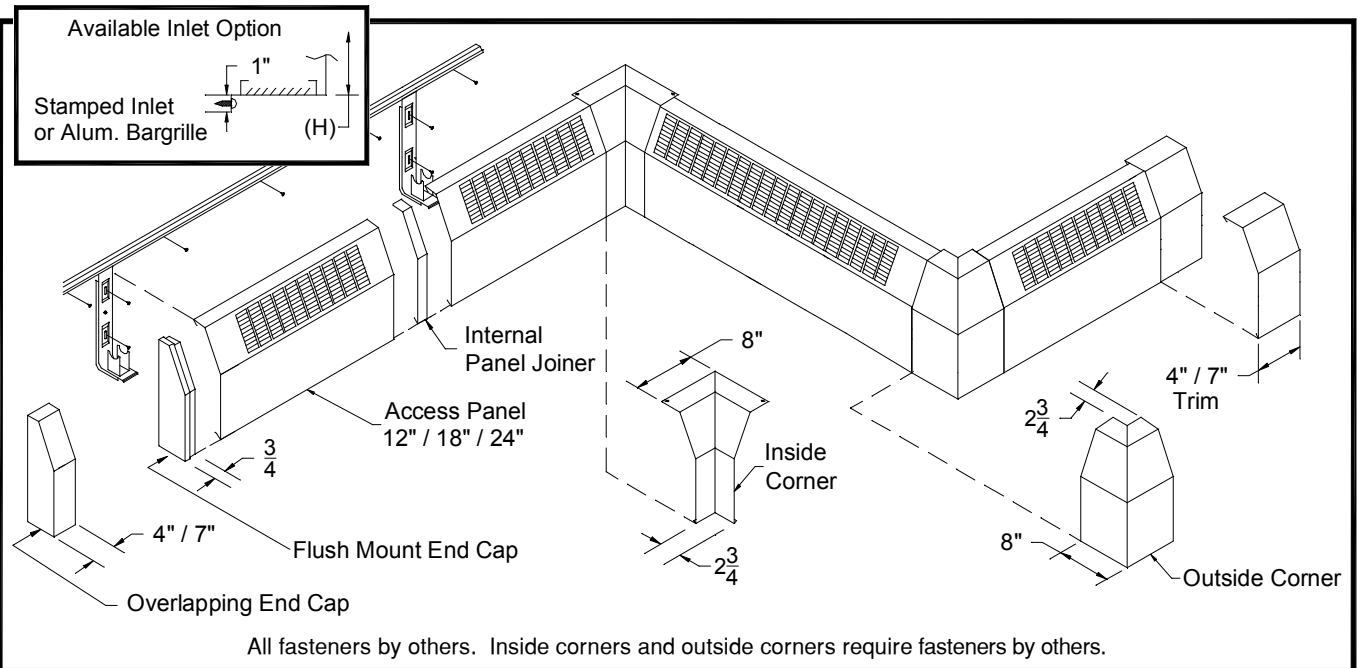
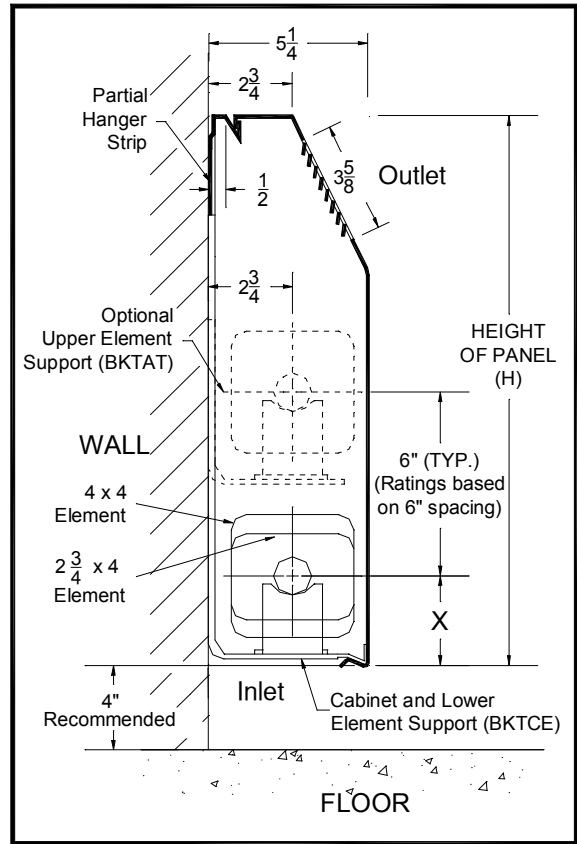


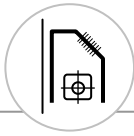
PROJECT: \_\_\_\_\_ TAG: \_\_\_\_\_

### SPECIFICATIONS

<b>HEIGHT (H)</b>	<input type="checkbox"/> 12"	<input type="checkbox"/> 18"
	<input type="checkbox"/> 24"	<input type="checkbox"/> _____
<b>MATERIAL</b>	<input type="checkbox"/> Steel (std.)	<input type="checkbox"/> Stainless Steel
	<input type="checkbox"/> _____	
<b>MATERIAL</b>	<input type="checkbox"/> 18 GA	<input type="checkbox"/> 16 GA (std.)
<b>GAUGE</b>	<input type="checkbox"/> 14 GA	<input type="checkbox"/> _____
<b>INLET STYLE</b>	<input type="checkbox"/> Open (std.)	<input type="checkbox"/> Stamped Louvers
	<input type="checkbox"/> Alum. Bargrille	<input type="checkbox"/> _____
<b>OUTLET STYLE</b>	<input type="checkbox"/> Stamped Louvers (std.)	<input type="checkbox"/> Alum. Bargrille
	<input type="checkbox"/> _____	
<b>CONTROL</b>	<input type="checkbox"/> None (std.)	<input type="checkbox"/> Manual Dampers
	<input type="checkbox"/> _____	
<b>HANGERSTRIP</b>	<input type="checkbox"/> Partial (std.)	<input type="checkbox"/> Full Back Plate
<b>FINISH</b>	<input type="checkbox"/> Primer	<input type="checkbox"/> Std. Baked Enamel
	<input type="checkbox"/> _____	

ELEMENT MOUNTING DIMENSIONS	Element Model	Dim X open inlet	Dim X closed inlet
	C075	2 3/4"	4 3/4"
	C100	3"	5"
	C125	3"	5"





**Slope Top  
Standard Width Enclosure  
Capacities**

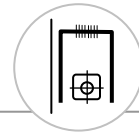
**Wallfin SWE - S**

**CAPACITIES FOR TYPE SWE ENCLOSURE (BTUH/FT AT 65°F ENTERING AIR TEMPERATURE)**

Element	Enclosure Model	Height (in)	Rows	C/C (in)	Steam (1 psi 215°F)	Average Water Temperature (°F)							
						210	200	190	180	170	160	150	140
24C075	SWE-12S	12	1	-	1475	1401	1268	1150	1017	899	782	664	590
	SWE-18S	18	1	-	1611	1530	1385	1256	1111	983	854	725	644
	SWE-24S	24	1	-	1713	1627	1473	1336	1182	1045	908	771	685
	SWE-18S	18	2	6	2212	2101	1902	1725	1526	1349	1172	995	885
	SWE-24S	24	2	12	2507	2381	2156	1955	1730	1529	1329	1128	1003
24C100	SWE-12S	12	1	-	1352	1284	1162	1054	933	824	716	608	541
	SWE-18S	18	1	-	1447	1375	1245	1129	999	883	767	651	579
	SWE-24S	24	1	-	1525	1449	1312	1190	1052	930	808	686	610
	SWE-18S	18	2	6	1795	1705	1544	1400	1239	1095	951	808	718
	SWE-24S	24	2	12	2029	1928	1745	1583	1400	1238	1075	913	812
24C125	SWE-12S	12	1	-	1514	1438	1302	1181	1044	923	802	681	605
	SWE-18S	18	1	-	1651	1569	1420	1288	1139	1007	875	743	660
	SWE-24S	24	1	-	1754	1667	1509	1368	1211	1070	930	789	702
	SWE-18S	18	2	6	2259	2146	1943	1762	1559	1378	1197	1017	904
	SWE-24S	24	2	12	2557	2429	2199	1995	1764	1560	1355	1151	1023
44C075	SWE-12S	12	1	-	1993	1893	1714	1555	1375	1216	1056	897	797
	SWE-18S	18	1	-	2040	1938	1754	1591	1407	1244	1081	918	816
	SWE-24S	24	1	-	2152	2044	1851	1678	1485	1313	1141	968	861
	SWE-18S	18	2	6	2446	2324	2104	1908	1688	1492	1297	1101	979
	SWE-24S	24	2	12	2743	2606	2359	2139	1893	1673	1454	1234	1097
44C100	SWE-12S	12	1	-	2012	1911	1730	1569	1388	1227	1066	905	805
	SWE-18S	18	1	-	2154	2047	1853	1680	1486	1314	1142	969	862
	SWE-24S	24	1	-	2270	2157	1953	1771	1567	1385	1203	1022	908
	SWE-18S	18	2	6	2672	2538	2298	2084	1843	1630	1416	1202	1069
	SWE-24S	24	2	12	3020	2869	2597	2356	2084	1842	1601	1359	1208
44C125	SWE-12S	12	1	-	1964	1866	1689	1532	1355	1198	1041	884	786
	SWE-18S	18	1	-	2106	2001	1811	1643	1453	1285	1116	948	842
	SWE-24S	24	1	-	2222	2111	1911	1733	1533	1355	1178	1000	889
	SWE-18S	18	2	6	2475	2351	2128	1930	1707	1509	1312	1114	990
	SWE-24S	24	2	12	3043	2891	2617	2374	2100	1856	1613	1369	1217
S125-4x4	SWE-12S	12	1	-	1480	1406	1273	1154	1021	903	784	666	592
	SWE-18S	18	1	-	1615	1534	1389	1260	1114	985	856	727	646
	SWE-24S	24	1	-	1695	1610	1458	1322	1170	1034	898	763	678
	SWE-18S	18	2	6	2049	1947	1762	1598	1414	1250	1086	922	820
	SWE-24S	24	2	12	2295	2180	1974	1790	1584	1400	1216	1033	918

- Notes: 1. "C/C" column indicates center to center offset of tiered element.  
 2. Capacities derived with element oriented with 4" dimension in horizontal.  
 3. Derate capacities by 7% for stamped louvers or aluminum bargrille inlet.  
 4. Refer to detailed element model descriptions on page 2 of catalog.

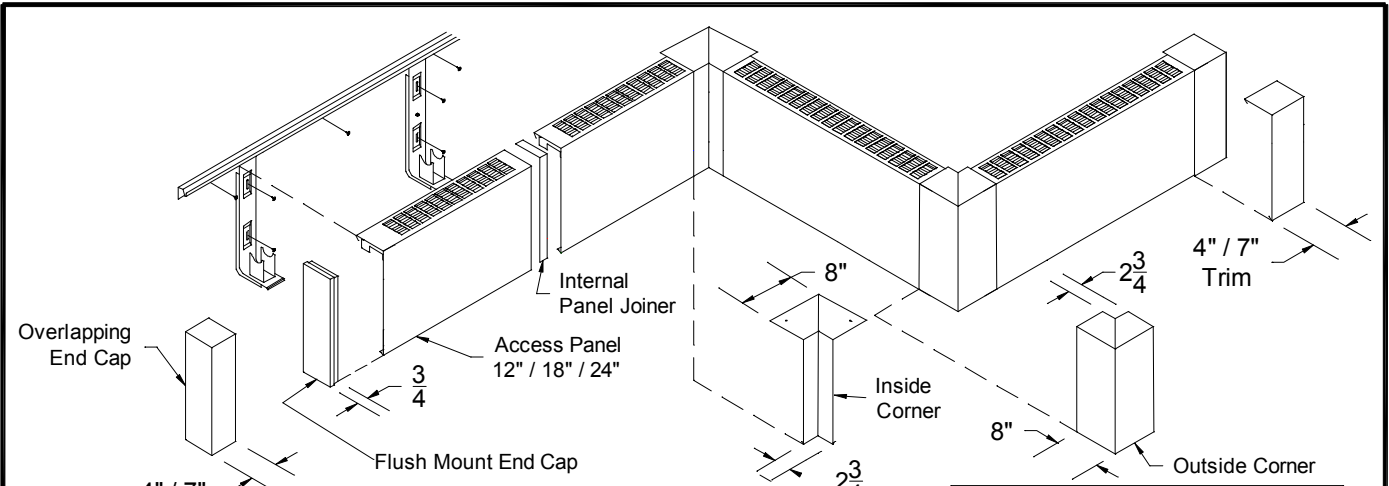
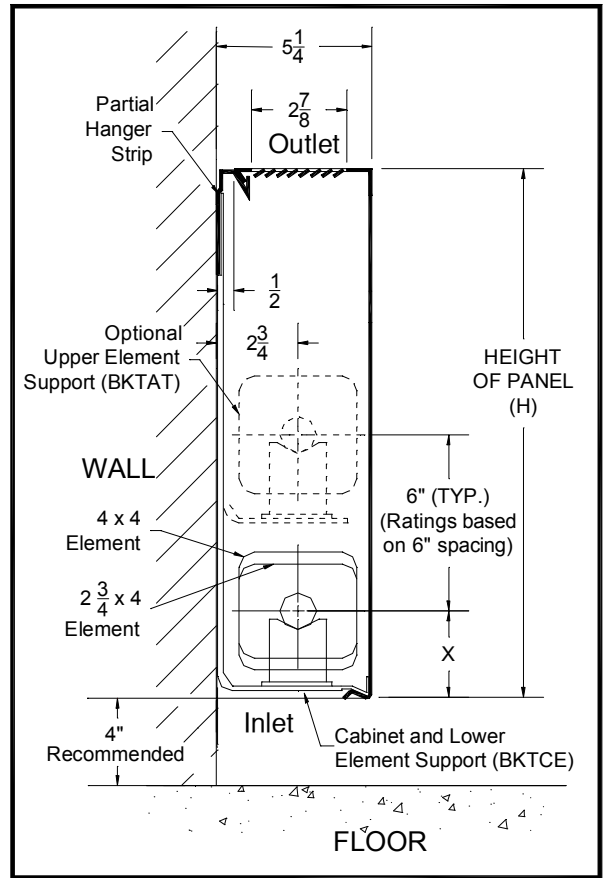




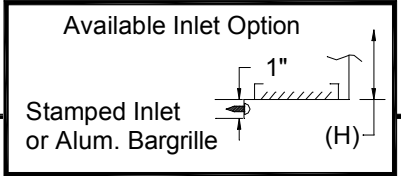
PROJECT: \_\_\_\_\_ TAG: \_\_\_\_\_

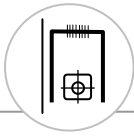
### SPECIFICATIONS

<b>HEIGHT (H)</b>	<input type="checkbox"/> 6"	<input type="checkbox"/> 12"	
	<input type="checkbox"/> 18"	<input type="checkbox"/> 24"	
	<input type="checkbox"/> _____		
<b>MATERIAL</b>	<input type="checkbox"/> Steel (std.)	<input type="checkbox"/> Stainless Steel	
	<input type="checkbox"/> _____		
<b>MATERIAL</b>	<input type="checkbox"/> 18 GA	<input type="checkbox"/> 16 GA (std.)	
<b>GAUGE</b>	<input type="checkbox"/> 14 GA	<input type="checkbox"/> _____	
<b>INLET STYLE</b>	<input type="checkbox"/> Open (std.)	<input type="checkbox"/> Stamped Louvers	
	<input type="checkbox"/> Alum. Bargrille	<input type="checkbox"/> _____	
<b>OUTLET STYLE</b>	<input type="checkbox"/> Stamped Louvers (std.)	<input type="checkbox"/> Alum. Bargrille	
	<input type="checkbox"/> _____		
<b>CONTROL</b>	<input type="checkbox"/> None (std.)	<input type="checkbox"/> Manual Dampers	
	<input type="checkbox"/> _____		
<b>HANGERSTRIP</b>	<input type="checkbox"/> Partial (std.)	<input type="checkbox"/> Full Back Plate	
<b>FINISH</b>	<input type="checkbox"/> Primer	<input type="checkbox"/> Std. Baked Enamel	
	<input type="checkbox"/> _____		
<b>ELEMENT MOUNTING DIMENSIONS</b>	Element Model	Dim X open inlet	Dim X closed inlet
	C075	2 3/4"	4 3/4"
	C100	3"	5"
	C125	3"	5"



All fasteners by others. Inside corners and outside corners require fasteners by others.





**Top Outlet  
Standard Width Enclosure  
Capacities**

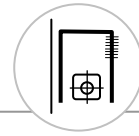
**Wallfin SWE - T**

**CAPACITIES FOR TYPE SWE ENCLOSURE (BTUH/FT AT 65°F ENTERING AIR TEMPERATURE)**

Element	Enclosure Model	Height (in)	Rows	C/C (in)	Steam (1 psi 215°F)	Average Water Temperature (°F)							
						210	200	190	180	170	160	150	140
24C075	SWE-06T	6	1	-	1212	1151	1042	945	836	739	642	545	485
	SWE-12T	12	1	-	1577	1498	1356	1230	1088	962	836	709	631
	SWE-18T	18	1	-	1713	1627	1473	1336	1182	1045	908	771	685
	SWE-24T	24	1	-	1819	1728	1565	1419	1255	1110	964	819	728
	SWE-18T	18	2	6	2326	2210	2001	1815	1605	1419	1233	1047	931
	SWE-24T	24	2	12	2506	2380	2155	1954	1729	1528	1328	1128	1002
24C100	SWE-06T	6	1	-	1162	1114	1008	914	809	715	621	527	469
	SWE-12T	12	1	-	1172	1104	999	906	802	709	616	523	465
	SWE-18T	18	1	-	1315	1249	1131	1025	907	802	697	592	526
	SWE-24T	24	1	-	1411	1341	1214	1101	974	861	748	635	564
	SWE-18T	18	2	6	1769	1680	1521	1380	1220	1079	937	796	707
	SWE-24T	24	2	12	2053	1951	1766	1601	1417	1252	1088	924	821
24C125	SWE-06T	6	1	-	1122	1065	965	875	774	684	594	505	449
	SWE-12T	12	1	-	1668	1585	1435	1301	1151	1018	884	751	667
	SWE-18T	18	1	-	1765	1676	1518	1376	1218	1076	935	794	706
	SWE-24T	24	1	-	1871	1778	1609	1460	1291	1142	992	842	749
	SWE-18T	18	2	6	2323	2207	1998	1812	1603	1417	1231	1045	929
	SWE-24T	24	2	12	2590	2461	2228	2020	1787	1580	1373	1166	1036
44C075	SWE-06T	6	1	-	1710	1696	1535	1393	1232	1089	946	803	714
	SWE-12T	12	1	-	1785	1625	1471	1334	1180	1043	906	770	684
	SWE-18T	18	1	-	1919	1823	1650	1497	1324	1171	1017	864	768
	SWE-24T	24	1	-	2084	1980	1792	1626	1438	1271	1105	938	834
	SWE-18T	18	2	6	2582	2453	2220	2014	1781	1575	1368	1162	1033
	SWE-24T	24	2	12	3046	2893	2619	2376	2102	1858	1614	1371	1218
44C100	SWE-06T	6	1	-	1730	1659	1502	1362	1205	1065	925	786	698
	SWE-12T	12	1	-	1746	1643	1488	1349	1194	1055	917	778	692
	SWE-18T	18	1	-	1957	1859	1683	1526	1350	1194	1037	881	783
	SWE-24T	24	1	-	2100	1995	1806	1638	1449	1281	1113	945	840
	SWE-18T	18	2	6	2633	2501	2264	2053	1816	1606	1395	1185	1053
	SWE-24T	24	2	12	3056	2903	2628	2384	2109	1864	1620	1375	1222
44C125	SWE-06T	6	1	-	1695	1611	1458	1322	1170	1034	899	763	678
	SWE-12T	12	1	-	1729	1643	1487	1349	1193	1055	916	778	692
	SWE-18T	18	1	-	1951	1854	1678	1522	1346	1190	1034	878	780
	SWE-24T	24	1	-	2100	1995	1806	1638	1449	1281	1113	945	840
	SWE-18T	18	2	6	2640	2508	2270	2059	1822	1610	1399	1188	1056
	SWE-24T	24	2	12	3094	2939	2661	2413	2135	1887	1640	1392	1237
S125-4x4	SWE-06T	6	1	-	1340	1273	1152	1045	925	817	710	603	536
	SWE-12T	12	1	-	1393	1323	1198	1087	961	850	738	627	557
	SWE-18T	18	1	-	1513	1437	1301	1180	1044	923	802	681	605
	SWE-24T	24	1	-	1568	1490	1348	1223	1082	956	831	706	627
	SWE-18T	18	2	6	2045	1943	1759	1595	1411	1247	1084	920	818
	SWE-24T	24	2	12	2393	2273	2058	1867	1651	1460	1268	1077	957

- Notes: 1. "C/C" column indicates center to center offset of tiered element.  
 2. Capacities derived with element oriented with 4" dimension in horizontal.  
 3. Derate capacities by 7% for stamped louvers or aluminum bargrille inlet.  
 4. Refer to detailed element model descriptions on page 2 of catalog.





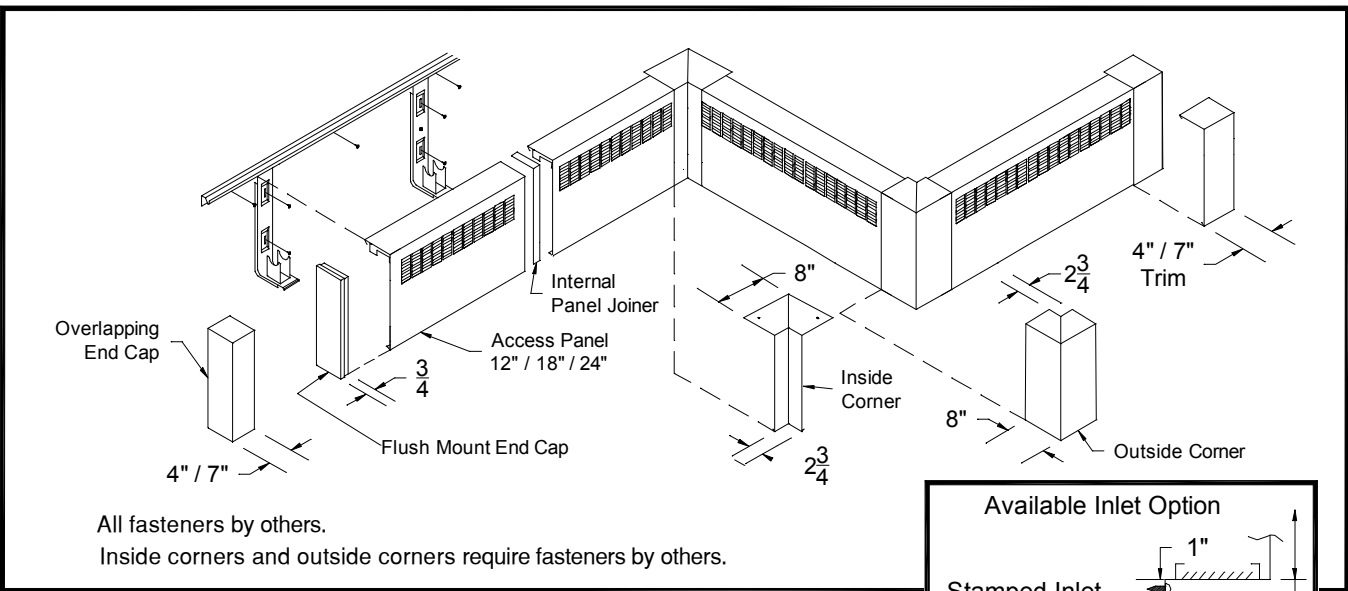
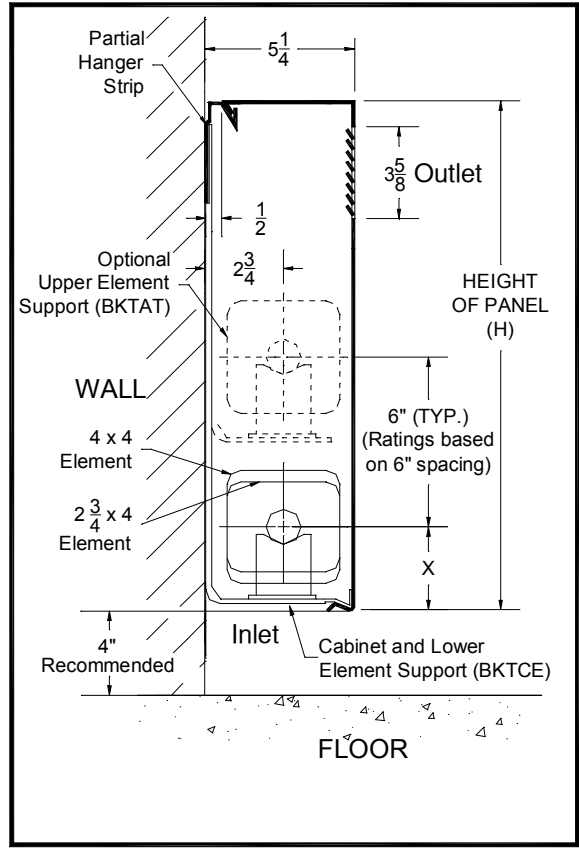
PROJECT: \_\_\_\_\_

TAG: \_\_\_\_\_

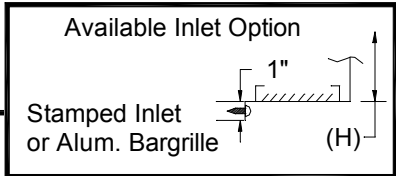
### SPECIFICATIONS

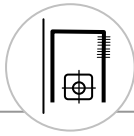
<b>HEIGHT (H)</b>	<input type="checkbox"/> 12"	<input type="checkbox"/> 18"
	<input type="checkbox"/> 24"	<input type="checkbox"/> _____
<b>MATERIAL</b>	<input type="checkbox"/> Steel (std.)	<input type="checkbox"/> Stainless Steel
	<input type="checkbox"/> _____	
<b>MATERIAL</b>	<input type="checkbox"/> 18 GA	<input type="checkbox"/> 16 GA (std.)
<b>GAUGE</b>	<input type="checkbox"/> 14 GA	<input type="checkbox"/> _____
<b>INLET STYLE</b>	<input type="checkbox"/> Open (std.)	<input type="checkbox"/> Stamped Louvers
	<input type="checkbox"/> Alum. Bargrille	<input type="checkbox"/> _____
<b>OUTLET STYLE</b>	<input type="checkbox"/> Stamped Louvers (std.)	<input type="checkbox"/> Alum. Bargrille
	<input type="checkbox"/> _____	
<b>CONTROL</b>	<input type="checkbox"/> None (std.)	<input type="checkbox"/> Manual Dampers
	<input type="checkbox"/> _____	
<b>HANGERSTRIP</b>	<input type="checkbox"/> Partial (std.)	<input type="checkbox"/> Full Back Plate
<b>FINISH</b>	<input type="checkbox"/> Primer	<input type="checkbox"/> Std. Baked Enamel
	<input type="checkbox"/> _____	

<b>ELEMENT MOUNTING DIMENSIONS</b>	Element Model	Dim X open inlet	Dim X closed inlet
	C075	2 3/4"	4 3/4"
	C100	3"	5"
	C125	3"	5"



All fasteners by others.  
Inside corners and outside corners require fasteners by others.





**Front Outlet  
Standard Width Enclosure  
Capacities**

**Wallfin SWE - F**

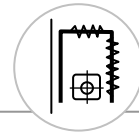
**CAPACITIES FOR TYPE SWE ENCLOSURE (BTUH/FT AT 65°F ENTERING AIR TEMPERATURE)**

Element	Enclosure Model	Height (in)	Rows	C/C (in)	Steam (1 psi 215°F)	Average Water Temperature (°F)							
						210	200	190	180	170	160	150	140
24C075	SWE-12F	12	1	-	1576	1497	1355	1229	1087	961	835	709	630
	SWE-18F	18	1	-	1713	1627	1473	1336	1182	1045	908	771	685
	SWE-24F	24	1	-	1811	1721	1558	1413	1250	1105	960	815	725
	SWE-18F	18	2	6	2233	2122	1921	1742	1541	1362	1184	1005	893
	SWE-24F	24	2	12	2720	2584	2339	2122	1877	1659	1442	1224	1088
24C100	SWE-12F	12	1	-	1176	1117	1012	918	812	718	623	529	471
	SWE-18F	18	1	-	1304	1239	1121	1017	900	795	691	587	522
	SWE-24F	24	1	-	1387	1318	1193	1082	957	846	735	624	555
	SWE-18F	18	2	6	1662	1578	1429	1296	1146	1014	881	748	665
	SWE-24F	24	2	12	2020	1919	1737	1575	1394	1232	1071	909	808
24C125	SWE-12F	12	1	-	1596	1516	1373	1245	1101	974	846	718	638
	SWE-18F	18	1	-	1735	1648	1492	1353	1197	1058	919	781	694
	SWE-24F	24	1	-	1863	1770	1602	1453	1286	1137	988	838	745
	SWE-18F	18	2	6	2278	2165	1959	1777	1572	1390	1208	1025	911
	SWE-24F	24	2	12	2846	2704	2448	2220	1964	1736	1508	1281	1138
44C075	SWE-12F	12	1	-	1726	1640	1485	1346	1191	1053	915	777	690
	SWE-18F	18	1	-	1936	1839	1665	1510	1336	1181	1026	871	774
	SWE-24F	24	1	-	2024	1923	1740	1579	1396	1234	1073	911	809
	SWE-18F	18	2	6	2434	2312	2093	1898	1679	1484	1290	1095	973
	SWE-24F	24	2	12	3002	2852	2582	2342	2072	1831	1591	1351	1201
44C100	SWE-12F	12	1	-	1751	1663	1506	1366	1208	1068	928	788	700
	SWE-18F	18	1	-	1941	1844	1669	1514	1339	1184	1029	873	776
	SWE-24F	24	1	-	2064	1961	1775	1610	1424	1259	1094	929	826
	SWE-18F	18	2	6	2473	2349	2127	1929	1706	1509	1311	1113	989
	SWE-24F	24	2	12	3006	2856	2586	2345	2074	1834	1593	1353	1203
44C125	SWE-12F	12	1	-	1762	1674	1515	1374	1216	1075	934	793	705
	SWE-18F	18	1	-	1941	1844	1669	1514	1339	1184	1029	873	776
	SWE-24F	24	1	-	2086	1982	1794	1627	1439	1272	1106	939	834
	SWE-18F	18	2	6	2483	2359	2135	1937	1713	1515	1316	1117	993
	SWE-24F	24	2	12	3038	2886	2613	2370	2096	1853	1610	1367	1215
S125-4x4	SWE-12F	12	1	-	1301	1236	1119	1015	898	794	690	585	520
	SWE-18F	18	1	-	1425	1354	1226	1112	983	869	755	641	570
	SWE-24F	24	1	-	1446	1374	1244	1128	998	882	766	651	578
	SWE-18F	18	2	6	2008	1908	1727	1566	1386	1225	1064	904	803
	SWE-24F	24	2	12	2317	2201	1993	1807	1599	1413	1228	1043	927

- Notes: 1. "C/C" column indicates center to center offset of tiered element.  
 2. Capacities derived with element oriented with 4" dimension in horizontal.  
 3. Derate capacities by 7% for stamped louvers or aluminum bargrille inlet.  
 4. Refer to detailed element model descriptions on page 2 of catalog.

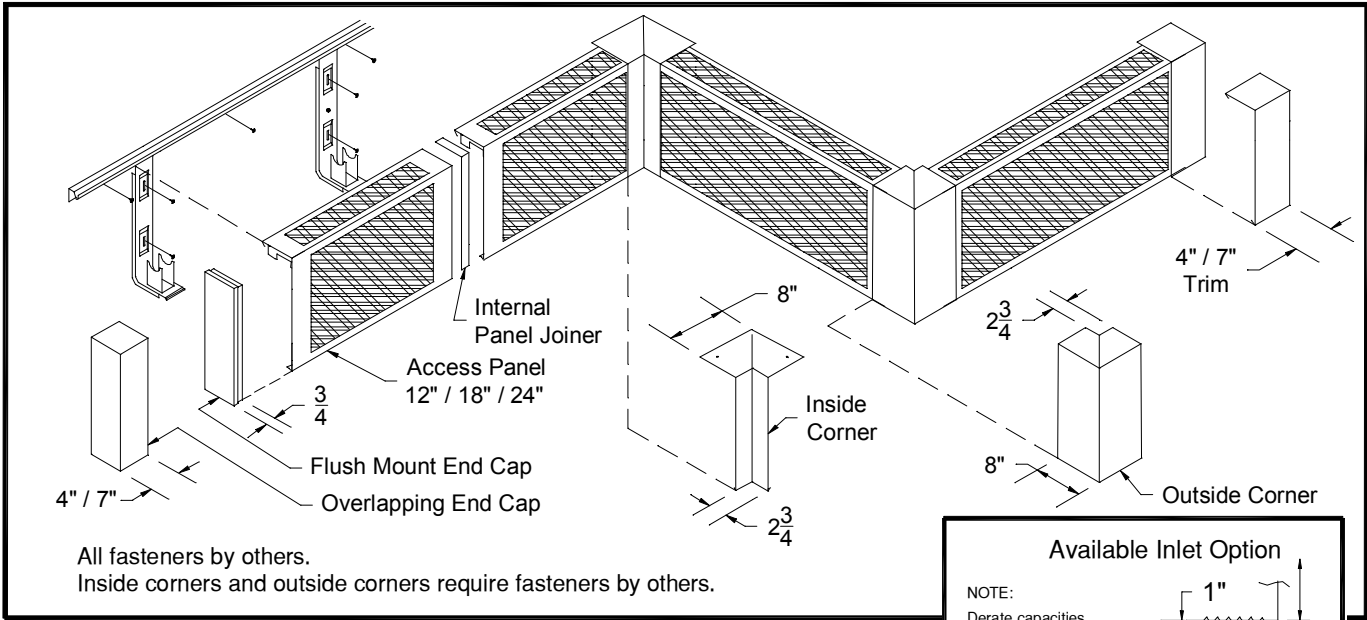
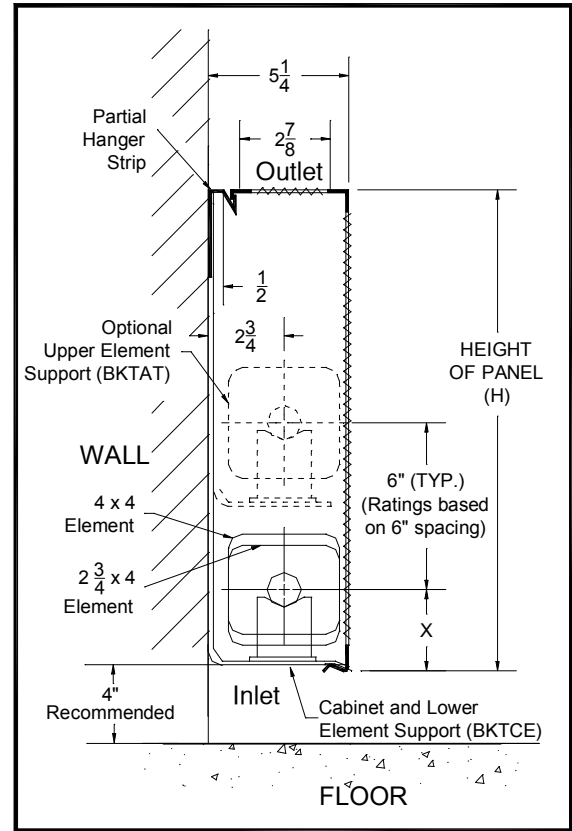
# Wallfin SWE-X

## Expanded Metal Standard Width Enclosure Dimensions



PROJECT: \_\_\_\_\_ TAG: \_\_\_\_\_

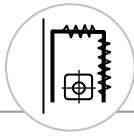
SPECIFICATIONS			
HEIGHT (H)	<input type="checkbox"/> 12"	<input type="checkbox"/> 18"	
	<input type="checkbox"/> 24"	<input type="checkbox"/> _____	
MATERIAL	<input type="checkbox"/> Steel (std.)	<input type="checkbox"/> _____	
MATERIAL	<input type="checkbox"/> 16 GA (std.)		
GAUGE			
INLET STYLE	<input type="checkbox"/> Open (std.)	<input type="checkbox"/> Closed Mesh	
HANGERSTRIP	<input type="checkbox"/> Partial (std.)	<input type="checkbox"/> Full Back Plate	
FINISH	<input type="checkbox"/> Primer	<input type="checkbox"/> Std. Baked Enamel	
	<input type="checkbox"/> _____		
ELEMENT MOUNTING DIMENSIONS	Element Model	Dim X open inlet	Dim X closed inlet
	C075	2 3/4"	4 3/4"
	C100	3"	5"
	C125	3"	5"



All fasteners by others.  
Inside corners and outside corners require fasteners by others.

**Available Inlet Option**

NOTE:  
Derate capacities  
by 7% for stamped inlet.



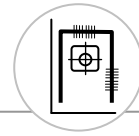
**Expanded Metal  
Standard Width Enclosure  
Capacities**

**Wallfin SWE - X**

**CAPACITIES FOR TYPE SWE ENCLOSURE (BTUH/FT AT 65°F ENTERING AIR TEMPERATURE)**

Element	Enclosure Model	Height (in)	Rows	C/C (in)	Steam (1 psi 215°F)	Average Water Temperature (°F)							
						210	200	190	180	170	160	150	140
24C075	SWE-06X	6	1	-	1235	1173	1062	963	852	753	655	556	494
	SWE-12X	12	2	6	1807	1717	1554	1409	1247	1102	958	813	723
	SWE-18X	18	2	12	2667	2533	2293	2080	1840	1627	1413	1200	1067
	SWE-18X	18	3	6	2858	2715	2458	2230	1972	1744	1515	1286	1143
	SWE-30X	30	3	12	3401	3231	2925	2652	2346	2074	1802	1530	1360
24C100	SWE-06X	6	1	-	1259	1196	1083	982	869	768	667	567	504
	SWE-12X	12	2	6	2209	2099	1900	1723	1524	1348	1171	994	884
	SWE-18X	18	2	12	2702	2567	2323	2107	1864	1648	1432	1216	1081
	SWE-18X	18	3	6	2829	2688	2433	2207	1952	1726	1500	1273	1132
	SWE-30X	30	3	12	3232	3071	2780	2521	2230	1972	1713	1455	1293
24C125	SWE-06X	6	1	-	1256	1193	1080	979	866	766	665	565	502
	SWE-12X	12	2	6	1859	1766	1599	1450	1283	1134	985	836	743
	SWE-18X	18	2	12	2704	2569	2325	2109	1866	1649	1433	1217	1082
	SWE-18X	18	3	6	2898	2753	2492	2260	1999	1768	1536	1304	1159
	SWE-30X	30	3	12	3570	3391	3070	2784	2463	2177	1892	1606	1428
44C075	SWE-06X	6	1	-	1771	1682	1523	1381	1222	1080	938	797	708
	SWE-12X	12	2	6	3116	2960	2679	2430	2150	1901	1651	1402	1246
	SWE-18X	18	2	12	3805	3615	3272	2968	2625	2321	2017	1712	1522
	SWE-18X	18	3	6	3986	3787	3428	3109	2750	2432	2113	1794	1594
	SWE-30X	30	3	12	4470	4247	3844	3487	3084	2727	2369	2012	1788
44C100	SWE-06X	6	1	-	1874	1781	1612	1462	1293	1143	993	843	750
	SWE-12X	12	2	6	3288	3124	2828	2565	2269	2006	1743	1480	1315
	SWE-18X	18	2	12	4021	3820	3458	3137	2775	2453	2131	1810	1608
	SWE-18X	18	3	6	4211	4001	3622	3285	2906	2569	2232	1895	1685
	SWE-30X	30	3	12	4811	4571	4138	3753	3320	2935	2550	2165	1924
44C125	SWE-06X	6	1	-	1828	1737	1572	1426	1261	1115	969	823	731
	SWE-12X	12	2	6	3217	3056	2767	2509	2220	1962	1705	1448	1287
	SWE-18X	18	2	12	3935	3738	3384	3069	2715	2400	2086	1771	1574
	SWE-18X	18	3	6	4116	3910	3540	3211	2840	2511	2182	1852	1646
	SWE-30X	30	3	12	4736	4500	4073	3694	3268	2889	2510	2131	1895
S125-4x4	SWE-06X	6	1	-	1445	1373	1243	1127	997	881	766	650	578
	SWE-12X	12	2	6	2454	2331	2110	1914	1693	1497	1301	1104	982
	SWE-18X	18	2	12	3028	2877	2604	2362	2089	1847	1605	1363	1211
	SWE-18X	18	3	6	3123	2967	2686	2436	2155	1905	1655	1405	1249
	SWE-30X	30	3	12	3648	3466	3137	2845	2517	2225	1933	1642	1459

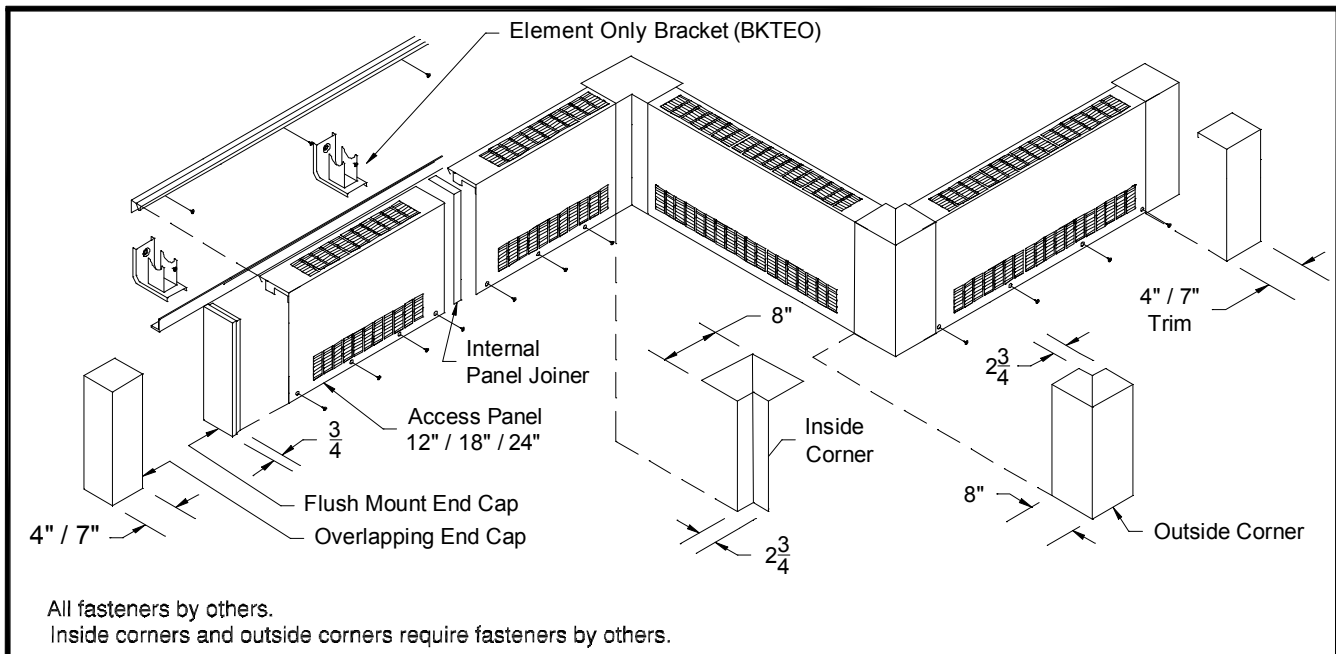
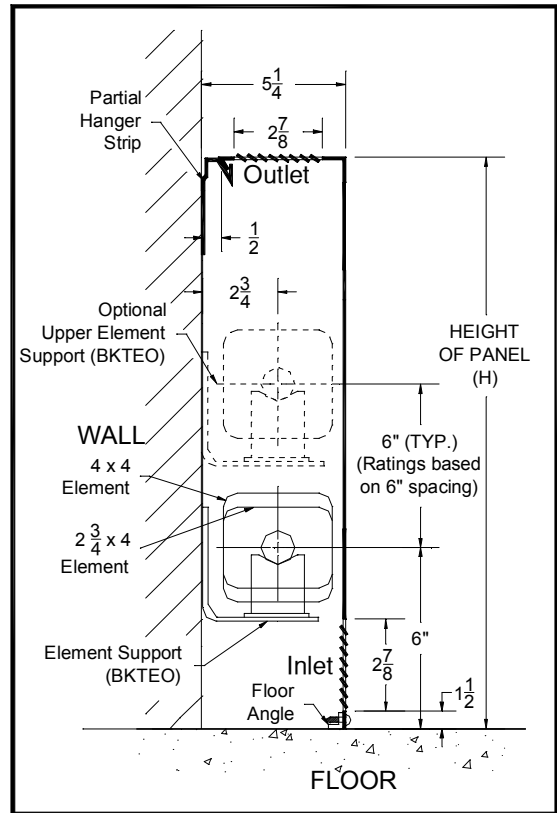
- Notes: 1. "C/C" column indicates center to center offset of tiered element.  
 2. Capacities derived with element oriented with 4" dimension in horizontal.  
 3. Derate capacities by 7% for stamped louvers or aluminum bargrille inlet.  
 4. Refer to detailed element model descriptions on page 2 of catalog.

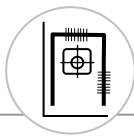


PROJECT: \_\_\_\_\_

TAG: \_\_\_\_\_

SPECIFICATIONS		
HEIGHT (H)	<input type="checkbox"/> 10"	<input type="checkbox"/> 16"
	<input type="checkbox"/> 22"	<input type="checkbox"/> _____
MATERIAL	<input type="checkbox"/> Steel (std.)	<input type="checkbox"/> Stainless Steel
	<input type="checkbox"/> _____	
MATERIAL	<input type="checkbox"/> 18 GA	<input type="checkbox"/> 16 GA (std.)
GAUGE	<input type="checkbox"/> 14 GA	<input type="checkbox"/> _____
INLET STYLE	<input type="checkbox"/> Stamped Louvers (std.)	<input type="checkbox"/> Alum. Bargrille
	<input type="checkbox"/> _____	
OUTLET STYLE	<input type="checkbox"/> Stamped Louvers (std.)	<input type="checkbox"/> Alum. Bargrille
	<input type="checkbox"/> _____	
CONTROL	<input type="checkbox"/> None (std.)	<input type="checkbox"/> Manual Dampers
	<input type="checkbox"/> _____	
HANGERSTRIP	<input type="checkbox"/> Partial (std.)	<input type="checkbox"/> Full Back Plate
FINISH	<input type="checkbox"/> Primer	<input type="checkbox"/> Std. Baked Enamel
	<input type="checkbox"/> _____	





**Top Outlet Front Inlet  
Standard Width Enclosure  
Capacities**

**Wallfin SWE - TF**

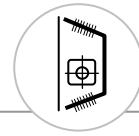
**CAPACITIES FOR TYPE SWE ENCLOSURE (BTUH/FT AT 65°F ENTERING AIR TEMPERATURE)**

Element	Enclosure Model	Height (in)	Rows	C/C (in)	Steam (1 psi 215°F)	Average Water Temperature (°F)							
						210	200	190	180	170	160	150	140
24C075	SWE-10TF	10	1	-	1135	1079	976	886	783	693	602	511	454
	SWE-16TF	16	1	-	1259	1196	1083	982	869	768	667	567	504
	SWE-16TF	16	2	6	1686	1601	1450	1315	1163	1028	893	758	674
	SWE-22TF	22	2	12	2102	1997	1808	1639	1450	1282	1114	946	841
24C100	SWE-10TF	10	1	-	850	807	731	663	586	518	450	382	340
	SWE-16TF	16	1	-	945	898	813	737	652	576	501	425	378
	SWE-16TF	16	2	6	1251	1189	1076	976	864	763	663	563	501
	SWE-22TF	22	2	12	1527	1451	1314	1191	1054	932	810	687	611
24C125	SWE-10TF	10	1	-	1182	1123	1017	922	816	721	627	532	473
	SWE-16TF	16	1	-	1288	1223	1107	1004	889	786	682	579	515
	SWE-16TF	16	2	6	1746	1659	1502	1362	1205	1065	926	786	699
	SWE-22TF	22	2	12	2082	1978	1791	1624	1437	1270	1104	937	833
44C075	SWE-10TF	10	1	-	1262	1199	1086	985	871	770	669	568	505
	SWE-16TF	16	1	-	1387	1318	1193	1082	957	846	735	624	555
	SWE-16TF	16	2	6	1878	1784	1615	1465	1296	1145	995	845	751
	SWE-22TF	22	2	12	2244	2132	1930	1750	1548	1369	1189	1010	898
44C100	SWE-10TF	10	1	-	1265	1202	1088	987	873	772	670	569	506
	SWE-16TF	16	1	-	1407	1336	1210	1097	971	858	745	633	563
	SWE-16TF	16	2	6	1863	1770	1602	1453	1285	1136	987	838	745
	SWE-22TF	22	2	12	2274	2160	1955	1773	1569	1387	1205	1023	909
44C125	SWE-10TF	10	1	-	1296	1231	1115	1011	894	791	687	583	518
	SWE-16TF	16	1	-	1411	1340	1213	1101	974	861	748	635	564
	SWE-16TF	16	2	6	1889	1795	1625	1473	1303	1152	1001	850	756
	SWE-22TF	22	2	12	2306	2191	1983	1799	1591	1407	1222	1038	922
S125-4x4	SWE-10TF	10	1	-	997	947	857	778	688	608	528	449	399
	SWE-16TF	16	1	-	1084	1030	932	846	748	661	575	488	434
	SWE-16TF	16	2	6	1482	1408	1275	1156	1023	904	785	667	593
	SWE-22TF	22	2	12	1772	1683	1524	1382	1223	1081	939	797	709

- Notes: 1. "C/C" column indicates center to center offset of tiered element.  
 2. Capacities derived with element oriented with 4" dimension in horizontal.  
 3. Refer to detailed element model descriptions on page 2 of catalog.

# Wallfin SWE-SS

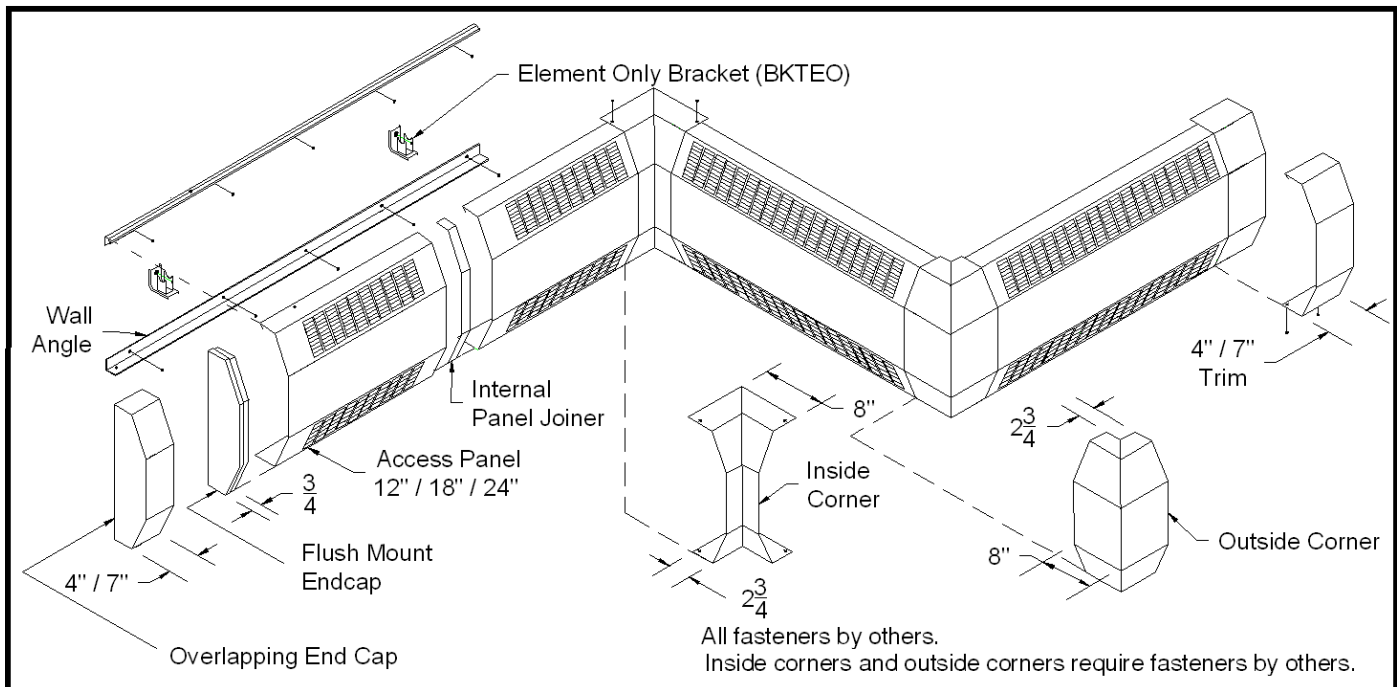
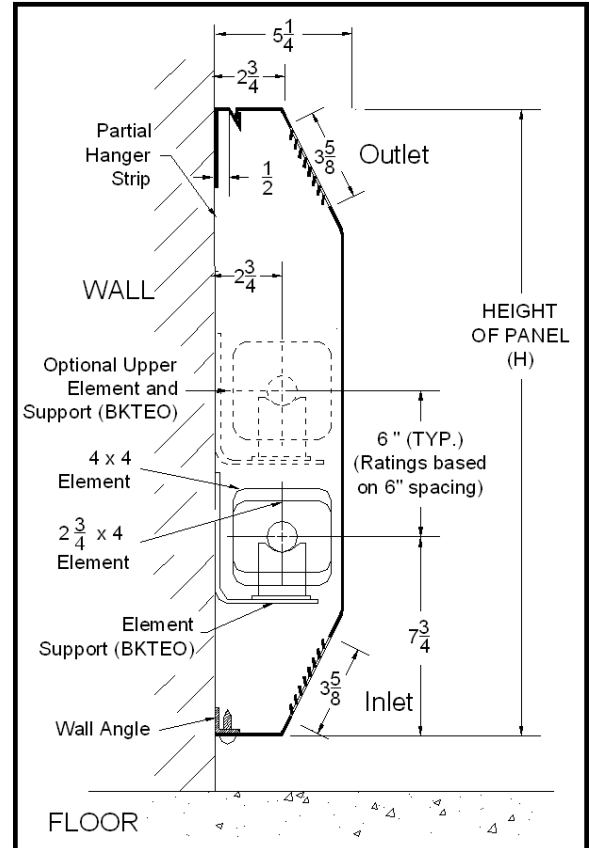
## Double Sloped Standard Width Enclosure Dimensions



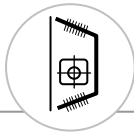
PROJECT: \_\_\_\_\_

TAG: \_\_\_\_\_

SPECIFICATIONS		
HEIGHT (H)	<input type="checkbox"/> 12"	<input type="checkbox"/> 18"
	<input type="checkbox"/> 24"	<input type="checkbox"/> 30"
	<input type="checkbox"/> _____	
MATERIAL	<input type="checkbox"/> Steel (std.)	<input type="checkbox"/> Stainless Steel
	<input type="checkbox"/> _____	
MATERIAL	<input type="checkbox"/> 18 GA	<input type="checkbox"/> 16 GA (std.)
GAUGE	<input type="checkbox"/> 14 GA	<input type="checkbox"/> _____
INLET STYLE	<input type="checkbox"/> Stamped Louvers (std.)	<input type="checkbox"/> Alum. Bargrille
	<input type="checkbox"/> _____	
OUTLET STYLE	<input type="checkbox"/> Stamped Louvers (std.)	<input type="checkbox"/> Alum. Bargrille
	<input type="checkbox"/> _____	
CONTROL	<input type="checkbox"/> None (std.)	<input type="checkbox"/> Manual Dampers
	<input type="checkbox"/> _____	
HANGERSTRIP	<input type="checkbox"/> Partial (std.)	<input type="checkbox"/> Full Back Plate
FINISH	<input type="checkbox"/> Primer	<input type="checkbox"/> Std. Baked Enamel
	<input type="checkbox"/> _____	







## Double Sloped Standard Width Enclosure Capacities

# Wallfin SWE - SS

### CAPACITIES FOR TYPE SWE ENCLOSURE (BTUH/FT AT 65°F ENTERING AIR TEMPERATURE)

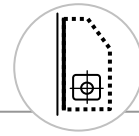
Element	Enclosure Model	Height (in)	Rows	C/C (in)	Steam (1 psi 215°F)	Average Water Temperature (°F)							
						210	200	190	180	170	160	150	140
24C075	SWE-14SS	14	1	-	1238	1176	1064	965	854	755	656	557	495
	SWE-18SS	18	1	-	1367	1298	1175	1066	943	834	724	615	547
	SWE-24SS	24	1	-	1477	1403	1270	1152	1019	901	783	665	591
	SWE-30SS	30	1	-	1614	1533	1388	1259	1114	985	855	726	646
	SWE-24SS	24	2	6	1953	1856	1680	1524	1348	1191	1035	879	781
	SWE-30SS	30	2	12	2489	2364	2140	1941	1717	1518	1319	1120	995
24C100	SWE-14SS	14	1	-	784	745	674	611	541	478	415	353	314
	SWE-18SS	18	1	-	974	925	838	760	672	594	516	438	390
	SWE-24SS	24	1	-	1104	1049	949	861	762	673	585	497	442
	SWE-30SS	30	1	-	1180	1121	1015	920	814	720	625	531	472
	SWE-24SS	24	2	6	1425	1353	1225	1111	983	869	755	641	570
	SWE-30SS	30	2	12	1860	1767	1599	1450	1283	1134	986	837	744
24C125	SWE-14SS	14	1	-	1240	1178	1066	967	855	756	657	558	496
	SWE-18SS	18	1	-	1370	1302	1178	1069	945	836	726	617	548
	SWE-24SS	24	1	-	1546	1468	1329	1206	1067	943	819	696	618
	SWE-30SS	30	1	-	1662	1578	1429	1296	1146	1014	881	748	665
	SWE-24SS	24	2	6	1963	1865	1688	1531	1355	1197	1040	883	785
	SWE-30SS	30	2	12	2536	2410	2181	1978	1750	1547	1344	1141	1015
44C075	SWE-14SS	14	1	-	1399	1329	1203	1091	965	853	741	630	560
	SWE-18SS	18	1	-	1441	1369	1240	1124	994	879	764	649	577
	SWE-24SS	24	1	-	1618	1537	1392	1262	1117	987	858	728	647
	SWE-30SS	30	1	-	1760	1672	1514	1373	1214	1074	933	792	704
	SWE-24SS	24	2	6	2104	1999	1810	1641	1452	1284	1115	947	842
	SWE-30SS	30	2	12	2730	2594	2348	2129	1884	1665	1447	1229	1092
44C100	SWE-14SS	14	1	-	1167	1109	1004	910	805	712	618	525	467
	SWE-18SS	18	1	-	1450	1377	1247	1131	1000	884	768	652	580
	SWE-24SS	24	1	-	1643	1561	1413	1282	1134	1002	871	739	657
	SWE-30SS	30	1	-	1756	1668	1510	1370	1212	1071	931	790	702
	SWE-24SS	24	2	6	2120	2014	1824	1654	1463	1293	1124	954	848
	SWE-30SS	30	2	12	2768	2629	2380	2159	1910	1688	1467	1245	1107
44C125	SWE-14SS	14	1	-	1394	1324	1199	1087	962	850	739	627	558
	SWE-18SS	18	1	-	1454	1381	1251	1134	1003	887	771	654	582
	SWE-24SS	24	1	-	1686	1602	1450	1315	1163	1028	894	759	674
	SWE-30SS	30	1	-	1744	1657	1500	1360	1203	1064	924	785	698
	SWE-24SS	24	2	6	2184	2075	1878	1703	1507	1332	1157	983	874
	SWE-30SS	30	2	12	2797	2657	2405	2181	1930	1706	1482	1259	1119
S125-4x4	SWE-14SS	14	1	-	1054	1001	906	822	727	643	559	474	422
	SWE-18SS	18	1	-	1211	1150	1041	945	836	739	642	545	484
	SWE-24SS	24	1	-	1275	1211	1097	995	880	778	676	574	510
	SWE-30SS	30	1	-	1513	1437	1301	1180	1044	923	802	681	605
	SWE-24SS	24	2	6	1783	1694	1533	1391	1230	1088	945	802	713
	SWE-30SS	30	2	12	2125	2019	1828	1658	1466	1296	1126	956	850

- Notes: 1. "C/C" column indicates center to center offset of tiered element.  
 2. Capacities derived with element oriented with 4" dimension in horizontal.  
 3. Refer to detailed element model descriptions on page 2 of catalog.



# Wallfin SEC-FP-S

## Sloped Top Fully Perforated Security Enclosure Dimensions

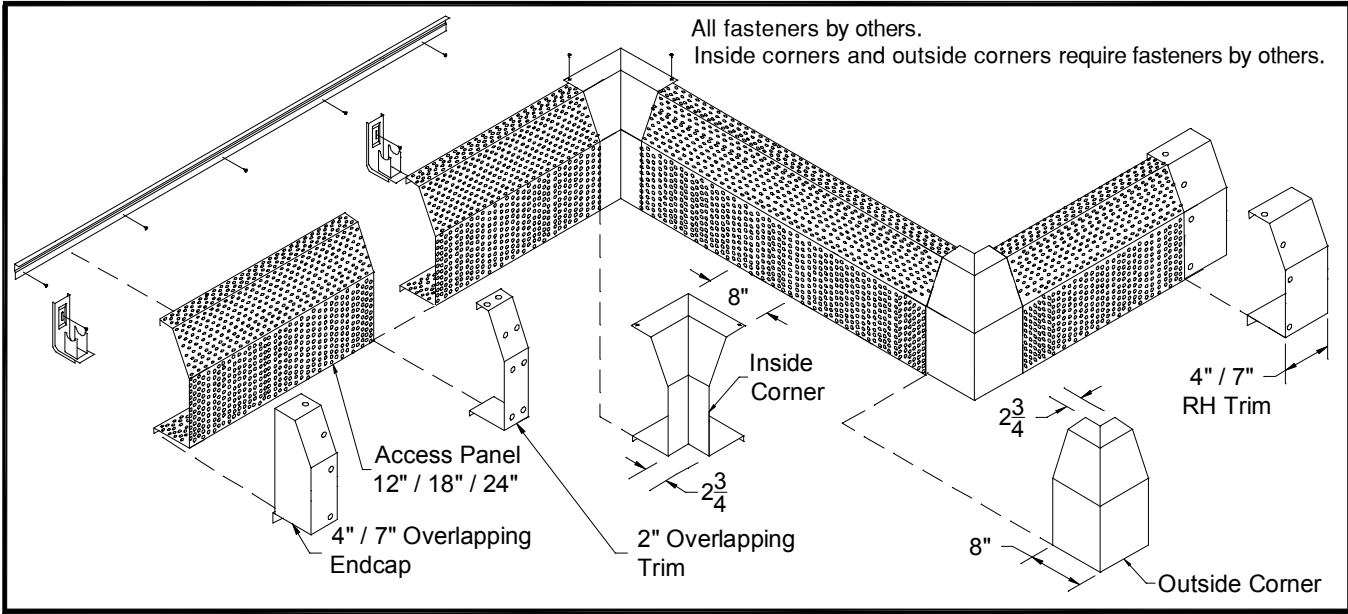
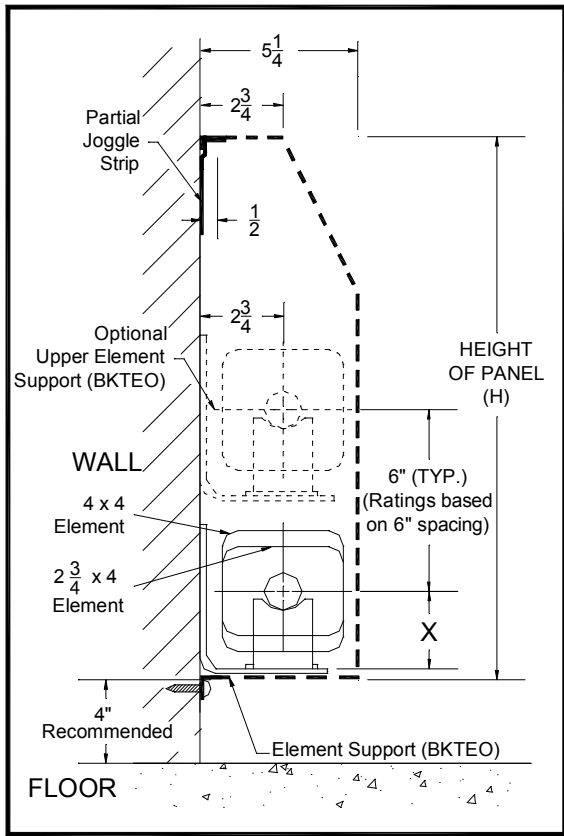


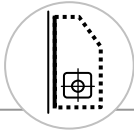
PROJECT: \_\_\_\_\_ TAG: \_\_\_\_\_

### SPECIFICATIONS

<b>HEIGHT (H)</b>	<input type="checkbox"/> 12"	<input type="checkbox"/> 18"
	<input type="checkbox"/> 24"	<input type="checkbox"/> _____
<b>MATERIAL</b>	<input type="checkbox"/> Steel (std.)	<input type="checkbox"/> Stainless Steel
	<input type="checkbox"/> _____	
<b>MATERIAL</b>	<input type="checkbox"/> 14 GA (std.)	<input type="checkbox"/> 12 GA
<b>GAUGE</b>	<input type="checkbox"/> _____	
<b>INLET STYLE</b>	<input type="checkbox"/> Perforated (std.)	
<b>OUTLET STYLE</b>	<input type="checkbox"/> Perforated (std.)	
<b>CONTROL</b>	<input type="checkbox"/> None (std.)	<input type="checkbox"/> Manual Dampers
	<input type="checkbox"/> _____	
<b>JOGGLE STRIP</b>	<input type="checkbox"/> Partial (std.)	<input type="checkbox"/> Full Back Plate
<b>FINISH</b>	<input type="checkbox"/> Primer	<input type="checkbox"/> Std. Baked Enamel
	<input type="checkbox"/> _____	

ELEMENT MOUNTING DIMENSIONS	Element Model	Dim X
	C075	3 1/2"
	C100	3 1/2"
	C125	3 3/4"





# Sloped Top Fully Perforated Security Enclosure Capacities

## Wallfin SEC-FP-S

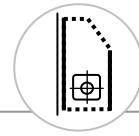
### CAPACITIES FOR TYPE SEC-FP ENCLOSURE (BTUH/FT AT 65°F ENTERING AIR TEMPERATURE)

Element	Enclosure Model	Height (in)	Rows	C/C (in)	Steam (1 psi 215°F)	Average Water Temperature (°F)							
						210	200	190	180	170	160	150	140
24C075	SEC-12S-FP	12	1	-	1050	997	903	819	724	640	556	472	420
	SEC-18S-FP	18	1	-	1092	1038	939	852	754	666	579	491	437
	SEC-24S-FP	24	1	-	1289	1224	1108	1005	889	786	683	580	516
	SEC-18S-FP	18	2	6	1888	1794	1624	1473	1303	1152	1001	850	755
	SEC-24S-FP	24	2	12	2066	1963	1777	1612	1426	1261	1095	930	827
24C100	SEC-12S-FP	12	1	-	1015	964	873	791	700	619	538	457	406
	SEC-18S-FP	18	1	-	1050	998	903	819	725	641	557	473	420
	SEC-24S-FP	24	1	-	1242	1179	1068	968	857	757	658	559	497
	SEC-18S-FP	18	2	6	1561	1483	1342	1217	1077	952	827	702	624
	SEC-24S-FP	24	2	12	1731	1645	1489	1350	1194	1056	917	779	692
24C125	SEC-12S-FP	12	1	-	975	926	839	761	673	595	517	439	390
	SEC-18S-FP	18	1	-	1017	966	875	793	702	620	539	458	407
	SEC-24S-FP	24	1	-	1205	1145	1036	940	832	735	639	542	482
	SEC-18S-FP	18	2	6	1670	1587	1437	1303	1153	1019	885	752	668
	SEC-24S-FP	24	2	12	1707	1621	1468	1331	1178	1041	905	768	683
44C075	SEC-12S-FP	12	1	-	1547	1470	1330	1207	1067	944	820	696	619
	SEC-18S-FP	18	1	-	1609	1529	1384	1255	1111	982	853	724	644
	SEC-24S-FP	24	1	-	1897	1802	1631	1479	1309	1157	1005	853	759
	SEC-18S-FP	18	2	6	2782	2643	2393	2170	1920	1697	1475	1252	1113
	SEC-24S-FP	24	2	12	3041	2889	2615	2372	2098	1855	1612	1368	1216
44C100	SEC-12S-FP	12	1	-	1511	1436	1300	1179	1043	922	801	680	604
	SEC-18S-FP	18	1	-	1564	1486	1345	1220	1079	954	829	704	626
	SEC-24S-FP	24	1	-	1849	1757	1590	1442	1276	1128	980	832	740
	SEC-18S-FP	18	2	6	2325	2209	1999	1813	1604	1418	1232	1046	930
	SEC-24S-FP	24	2	12	2578	2450	2217	2011	1779	1573	1367	1160	1031
44C125	SEC-12S-FP	12	1	-	1474	1400	1268	1150	1017	899	781	663	590
	SEC-18S-FP	18	1	-	1537	1460	1322	1199	1061	938	815	692	615
	SEC-24S-FP	24	1	-	1822	1731	1567	1421	1257	1111	965	820	729
	SEC-18S-FP	18	2	6	2525	2399	2172	1970	1742	1540	1338	1136	1010
	SEC-24S-FP	24	2	12	2580	2451	2219	2012	1780	1574	1367	1161	1032
S125-4x4	SEC-12S-FP	12	1	-	1250	1188	1075	975	863	763	663	563	500
	SEC-18S-FP	18	1	-	1300	1235	1118	1014	897	793	689	585	520
	SEC-24S-FP	24	1	-	1380	1311	1187	1076	952	842	731	621	552
	SEC-18S-FP	18	2	6	1901	1806	1635	1483	1312	1160	1008	855	760
	SEC-24S-FP	24	2	12	1997	1897	1717	1558	1378	1218	1058	899	799

- Notes: 1. "C/C" column indicates center to center offset of tiered element.  
 2. Capacities derived with element oriented with 4" dimension in horizontal.  
 3. Refer to detailed element model descriptions on page 2 of catalog.

# Wallfin SEC-PP-S

## Sloped Top Partial Perforated Security Enclosure Dimensions

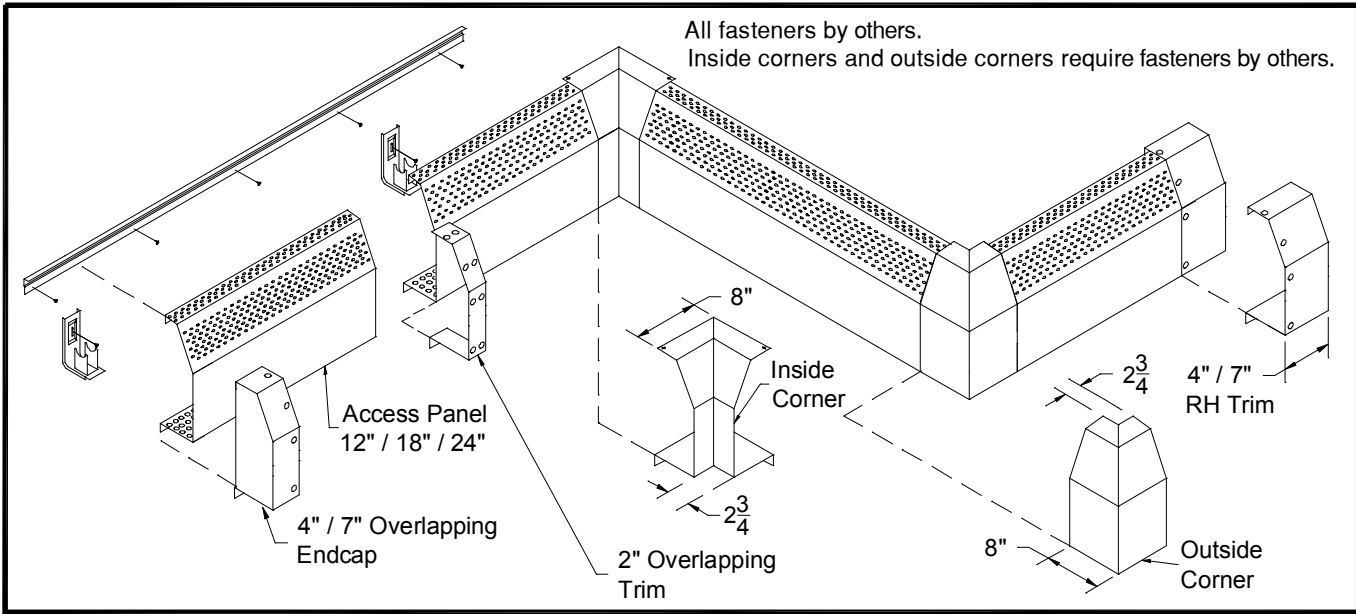
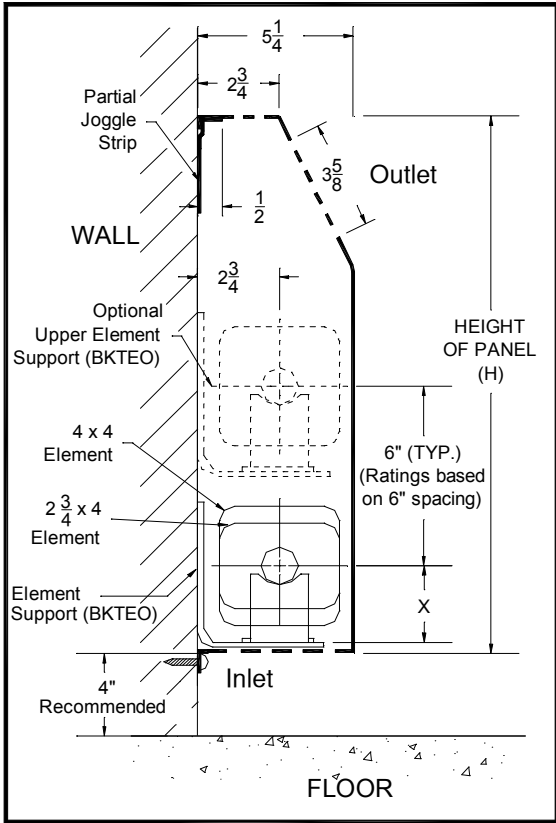


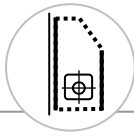
PROJECT: \_\_\_\_\_ TAG: \_\_\_\_\_

### SPECIFICATIONS

HEIGHT (H)	<input type="checkbox"/> 12"	<input type="checkbox"/> 18"
	<input type="checkbox"/> 24"	<input type="checkbox"/> _____
MATERIAL	<input type="checkbox"/> Steel (std.)	<input type="checkbox"/> Stainless Steel
	<input type="checkbox"/> _____	
MATERIAL	<input type="checkbox"/> 14 GA (std.)	<input type="checkbox"/> 12 GA
GAUGE	<input type="checkbox"/> _____	
INLET STYLE	<input type="checkbox"/> Perforated (std.)	
OUTLET STYLE	<input type="checkbox"/> Perforated (std.)	
CONTROL	<input type="checkbox"/> None (std.)	<input type="checkbox"/> Manual Dampers
	<input type="checkbox"/> _____	
JOGGLE STRIP	<input type="checkbox"/> Partial (std.)	<input type="checkbox"/> Full Back Plate
FINISH	<input type="checkbox"/> Primer	<input type="checkbox"/> Std. Baked Enamel
	<input type="checkbox"/> _____	

ELEMENT MOUNTING DIMENSIONS	Element Model	Dim X
	C075	3 1/2"
	C100	3 1/2"
	C125	3 3/4"





# Sloped Top Partial Perforated Security Enclosure Capacities

## Wallfin SEC-PP-S

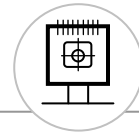
### CAPACITIES FOR TYPE SEC-PP ENCLOSURE (BTUH/FT AT 65°F ENTERING AIR TEMPERATURE)

Element	Enclosure Model	Height (in)	Rows	C/C (in)	Steam (1 psi 215°F)	Average Water Temperature (°F)							
						210	200	190	180	170	160	150	140
24C075	SEC-12S-PP	12	1	-	1327	1261	1141	1035	916	810	703	597	531
	SEC-18S-PP	18	1	-	1543	1466	1327	1203	1064	941	818	694	617
	SEC-24S-PP	24	1	-	1713	1627	1473	1336	1182	1045	908	771	685
	SEC-18S-PP	18	2	6	1769	1681	1522	1380	1221	1079	938	796	708
	SEC-24S-PP	24	2	12	2064	1961	1775	1610	1424	1259	1094	929	826
24C100	SEC-12S-PP	12	1	-	1064	1011	915	830	734	649	564	479	426
	SEC-18S-PP	18	1	-	1156	1099	995	902	798	705	613	520	463
	SEC-24S-PP	24	1	-	1242	1179	1068	968	857	757	658	559	497
	SEC-18S-PP	18	2	6	1547	1469	1330	1206	1067	943	820	696	619
	SEC-24S-PP	24	2	12	1731	1645	1489	1350	1194	1056	917	779	692
24C125	SEC-12S-PP	12	1	-	1031	979	887	804	711	629	546	464	412
	SEC-18S-PP	18	1	-	1122	1065	965	875	774	684	594	505	449
	SEC-24S-PP	24	1	-	1205	1145	1036	940	832	735	639	542	482
	SEC-18S-PP	18	2	6	1505	1429	1294	1174	1038	918	797	677	602
	SEC-24S-PP	24	2	12	1672	1588	1438	1304	1154	1020	886	752	669
44C075	SEC-12S-PP	12	1	-	1621	1540	1394	1264	1119	989	859	729	648
	SEC-18S-PP	18	1	-	1759	1671	1513	1372	1214	1073	932	791	704
	SEC-24S-PP	24	1	-	1897	1802	1631	1479	1309	1157	1005	853	759
	SEC-18S-PP	18	2	6	2352	2235	2023	1835	1623	1435	1247	1058	941
	SEC-24S-PP	24	2	12	2638	2506	2269	2058	1820	1609	1398	1187	1055
44C100	SEC-12S-PP	12	1	-	1585	1506	1363	1236	1094	967	840	713	634
	SEC-18S-PP	18	1	-	1722	1636	1481	1344	1189	1051	913	775	689
	SEC-24S-PP	24	1	-	1849	1757	1590	1442	1276	1128	980	832	740
	SEC-18S-PP	18	2	6	2304	2189	1981	1797	1590	1405	1221	1037	921
	SEC-24S-PP	24	2	12	2578	2450	2217	2011	1779	1573	1367	1160	1031
44C125	SEC-12S-PP	12	1	-	1558	1481	1340	1216	1075	951	826	701	623
	SEC-18S-PP	18	1	-	1695	1611	1458	1322	1170	1034	899	763	678
	SEC-24S-PP	24	1	-	1822	1731	1567	1421	1257	1111	965	820	729
	SEC-18S-PP	18	2	6	2274	2161	1956	1774	1569	1387	1205	1024	910
	SEC-24S-PP	24	2	12	2527	2401	2173	1971	1744	1542	1339	1137	1011
S125-4x4	SEC-12S-PP	12	1	-	1235	1173	1062	963	852	753	655	556	494
	SEC-18S-PP	18	1	-	1337	1270	1150	1043	923	816	709	602	535
	SEC-24S-PP	24	1	-	1382	1313	1189	1078	954	843	732	622	553
	SEC-18S-PP	18	2	6	1899	1804	1633	1481	1310	1158	1006	855	760
	SEC-24S-PP	24	2	12	1978	1879	1701	1543	1365	1207	1048	890	791

- Notes: 1. "C/C" column indicates center to center offset of tiered element.  
 2. Capacities derived with element oriented with 4" dimension in horizontal.  
 3. Refer to detailed element model descriptions on page 2 of catalog.

# Wallfin FST-PT

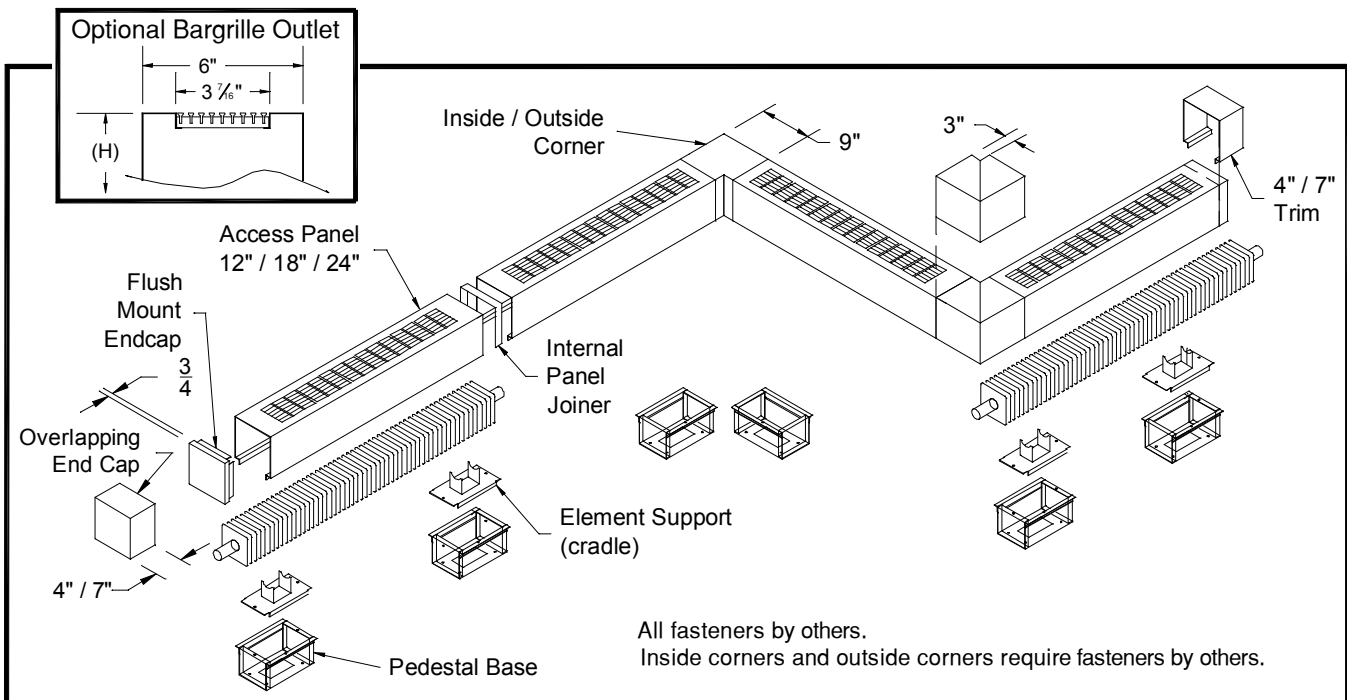
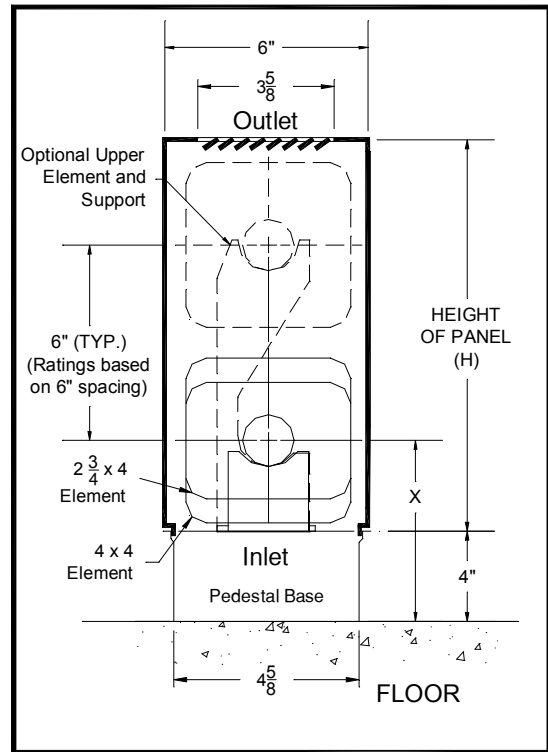
## Pedestal Top Outlet Free Standing Enclosure Dimensions

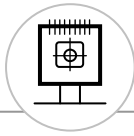


PROJECT: \_\_\_\_\_ TAG: \_\_\_\_\_

### SPECIFICATIONS

HEIGHT (H)	<input type="checkbox"/> 6"	<input type="checkbox"/> 12"
	<input type="checkbox"/> 18"	<input type="checkbox"/> 24"
	<input type="checkbox"/> _____	
MATERIAL	<input type="checkbox"/> Steel (std.)	<input type="checkbox"/> Stainless Steel
	<input type="checkbox"/> _____	
MATERIAL	<input type="checkbox"/> 18 GA	<input type="checkbox"/> 16 GA (std.)
GAUGE	<input type="checkbox"/> 14 GA	<input type="checkbox"/> _____
OUTLET STYLE	<input type="checkbox"/> Stamped Louvers (std.)	<input type="checkbox"/> Alum. Bargrille
	<input type="checkbox"/> _____	
CONTROL	<input type="checkbox"/> None (std.)	<input type="checkbox"/> Manual Dampers
	<input type="checkbox"/> _____	
FINISH	<input type="checkbox"/> Primer	<input type="checkbox"/> Std. Baked Enamel
	<input type="checkbox"/> _____	
ELEMENT MOUNTING DIMENSIONS	Element Model	Dim X
	C075	6 1/2"
	C100	6 1/2"
	C125	6 3/4"





# Pedestal Top Outlet Free Standing Enclosure Capacities

## Wallfin FST-PT

### CAPACITIES FOR TYPE FST ENCLOSURE (BTUH/Ft AT 65°F ENTERING AIR TEMPERATURE)

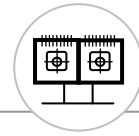
Element	Enclosure Model	Height (in)	Rows	C/C (in)	Steam (1 psi 215°F)	Average Water Temperature (°F)							
						210	200	190	180	170	160	150	140
24C075	FST-06PT	6	1	-	1372	1304	1180	1071	947	837	727	618	549
	FST-12PT	12	1	-	1557	1480	1339	1215	1075	950	825	701	623
	FST-18PT	18	1	-	1752	1665	1507	1367	1209	1069	929	789	701
	FST-12PT	12	2	6	2014	1914	1732	1571	1390	1229	1068	907	806
	FST-18PT	18	2	12	2578	2449	2217	2011	1779	1573	1366	1160	1031
24C100	FST-06PT	6	1	-	1023	972	880	798	706	624	542	460	409
	FST-12PT	12	1	-	1172	1113	1008	914	809	715	621	527	469
	FST-18PT	18	1	-	1302	1237	1120	1015	898	794	690	586	521
	FST-12PT	12	2	6	1545	1468	1329	1205	1066	943	819	695	618
	FST-18PT	18	2	12	1979	1880	1702	1544	1366	1207	1049	891	792
24C125	FST-06PT	6	1	-	1409	1339	1212	1099	972	860	747	634	564
	FST-12PT	12	1	-	1600	1520	1376	1248	1104	976	848	720	640
	FST-18PT	18	1	-	1914	1818	1646	1493	1321	1167	1014	861	766
	FST-12PT	12	2	6	2129	2023	1831	1661	1469	1299	1129	958	852
	FST-18PT	18	2	12	2727	2590	2345	2127	1881	1663	1445	1227	1091
44C075	FST-06PT	6	1	-	1569	1491	1350	1224	1083	957	832	706	628
	FST-12PT	12	1	-	1796	1706	1545	1401	1239	1096	952	808	718
	FST-18PT	18	1	-	2017	1917	1735	1574	1392	1231	1069	908	807
	FST-12PT	12	2	6	2245	2133	1931	1751	1549	1369	1190	1010	898
	FST-18PT	18	2	12	2907	2762	2500	2267	2006	1773	1541	1308	1163
44C100	FST-06PT	6	1	-	1523	1447	1310	1188	1051	929	807	685	609
	FST-12PT	12	1	-	1745	1657	1500	1361	1204	1064	925	785	698
	FST-18PT	18	1	-	1938	1841	1666	1511	1337	1182	1027	872	775
	FST-12PT	12	2	6	2300	2185	1978	1794	1587	1403	1219	1035	920
	FST-18PT	18	2	12	2946	2799	2534	2298	2033	1797	1562	1326	1178
44C125	FST-06PT	6	1	-	1527	1451	1313	1191	1054	931	809	687	611
	FST-12PT	12	1	-	1788	1699	1538	1395	1234	1091	948	805	715
	FST-18PT	18	1	-	2009	1909	1728	1567	1386	1226	1065	904	804
	FST-12PT	12	2	6	2308	2193	1985	1800	1593	1408	1223	1039	923
	FST-18PT	18	2	12	2861	2718	2460	2232	1974	1745	1516	1287	1144
S125-4x4	FST-06PT	6	1	-	1152	1094	991	899	795	703	611	518	461
	FST-12PT	12	1	-	1314	1248	1130	1025	907	802	696	591	526
	FST-18PT	18	1	-	1431	1359	1231	1116	987	873	758	644	572
	FST-12PT	12	2	6	1673	1589	1439	1305	1154	1021	887	753	669
	FST-18PT	18	2	12	2393	2273	2058	1867	1651	1460	1268	1077	957

- Notes: 1. "C/C" column indicates center to center offset of tiered element.  
 2. Capacities derived with element oriented with 4" dimension in horizontal.  
 3. Refer to detailed element model descriptions on page 2 of catalog.



# Wallfin FST-P2T

## Double Pedestal Top Outlet Free Standing Enclosure Dimensions

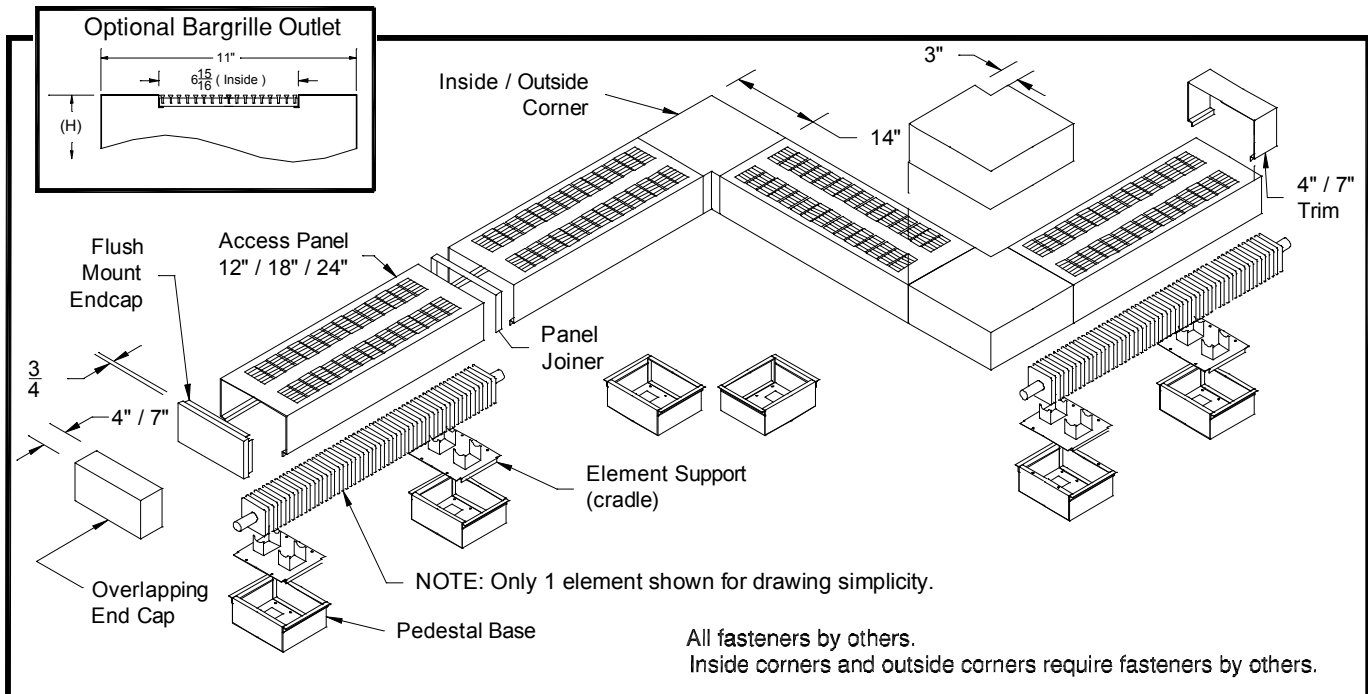
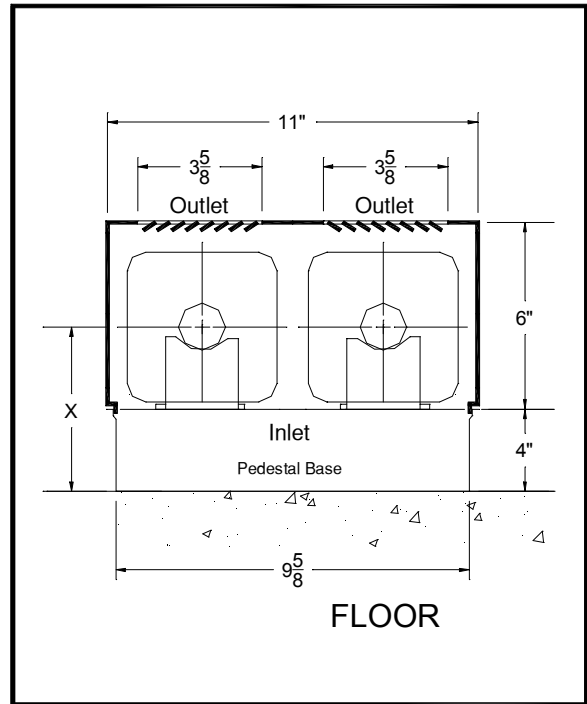


PROJECT: \_\_\_\_\_ TAG: \_\_\_\_\_

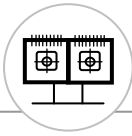
### SPECIFICATIONS

HEIGHT (H)	<input type="checkbox"/> 6" (std.)	<input type="checkbox"/> _____
MATERIAL	<input type="checkbox"/> Steel (std.)	<input type="checkbox"/> Stainless Steel
	<input type="checkbox"/> _____	
MATERIAL	<input type="checkbox"/> 18 GA	<input type="checkbox"/> 16 GA (std.)
GAUGE	<input type="checkbox"/> 14 GA	<input type="checkbox"/> _____
OUTLET STYLE	<input type="checkbox"/> Stamped Louvers (std.)	<input type="checkbox"/> Alum. Bargrille
	<input type="checkbox"/> _____	
CONTROL	<input type="checkbox"/> None (std.)	<input type="checkbox"/> _____
FINISH	<input type="checkbox"/> Primer	<input type="checkbox"/> Std. Baked Enamel
	<input type="checkbox"/> _____	

ELEMENT MOUNTING DIMENSIONS	Element Model	Dim X
	C075	6 1/2"
	C100	6 1/2"
	C125	6 3/4"







## Double Pedestal Top Outlet Free Standing Enclosure Capacities

## Wallfin FST-P2T

### CAPACITIES FOR TYPE FST ENCLOSURE (BTUH/Ft AT 65°F ENTERING AIR TEMPERATURE)

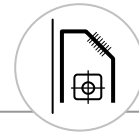
Element	Enclosure Model	Height (in)	Rows	C/C (in)	Steam (1 psi 215°F)	Average Water Temperature (°F)							
						210	200	190	180	170	160	150	140
24C075	FST-06P2T	6	2 Side	-	2919	2773	2510	2276	2014	1780	1547	1313	1167
24C100	FST-06P2T	6	2 Side	-	2224	2113	1913	1735	1535	1357	1179	1001	890
24C125	FST-06P2T	6	2 Side	-	2989	2840	2571	2332	2063	1824	1584	1345	1196
44C075	FST-06P2T	6	2 Side	-	3288	3124	2828	2565	2269	2006	1743	1480	1315
44C100	FST-06P2T	6	2 Side	-	3311	3145	2847	2582	2284	2019	1755	1490	1324
44C125	FST-06P2T	6	2 Side	-	3315	3149	2851	2586	2287	2022	1757	1492	1326
S125-4x4	FST-06P2T	6	2 Side	-	2352	2234	2023	1835	1623	1435	1247	1058	941

Note: 1. Capacities derived with element oriented with 4" dimension in horizontal.  
2. Refer to detailed element model descriptions on page 2 of catalog.



# Wallfin SLM-S

## Sloped Top Slimline Enclosure Dimensions

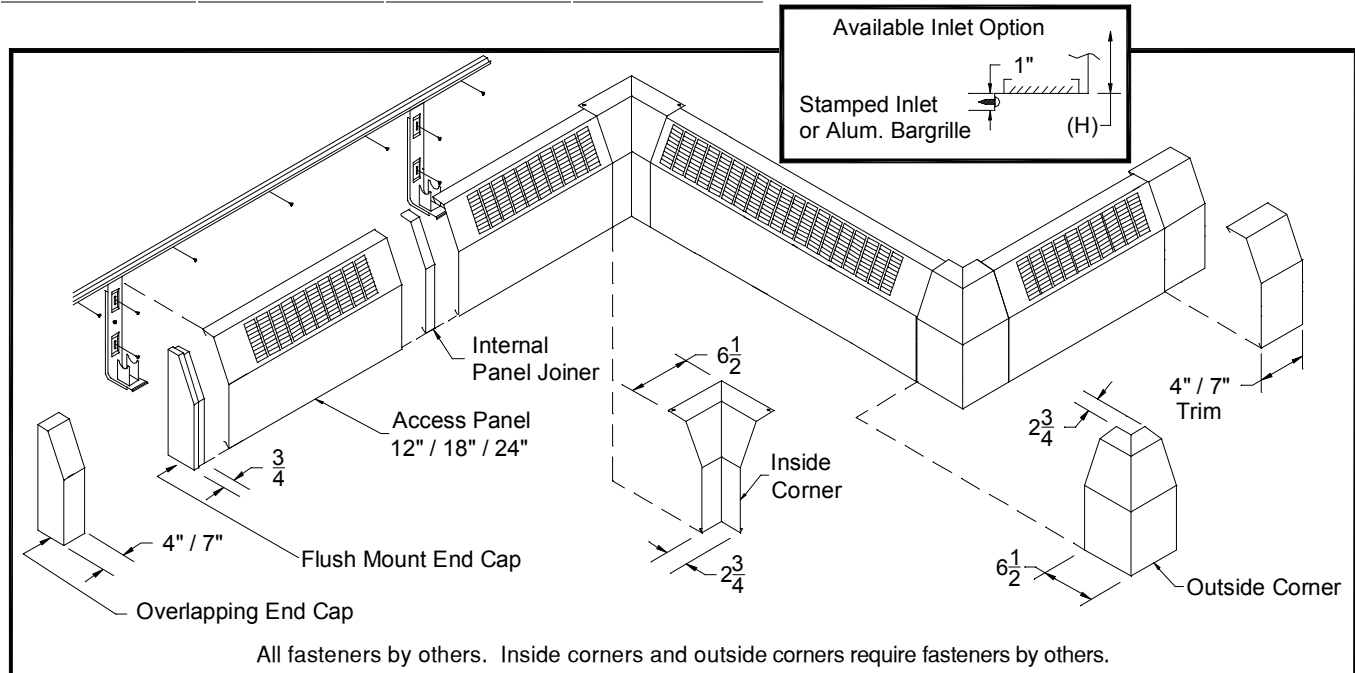
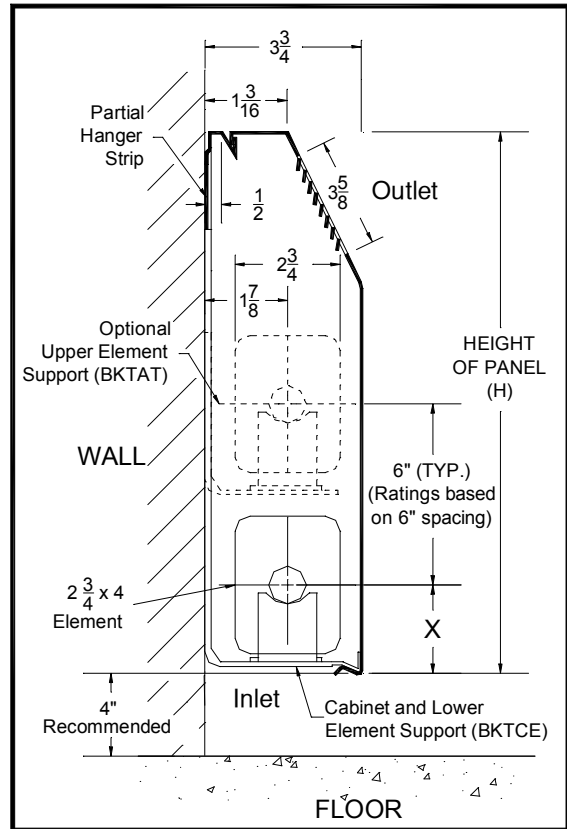


PROJECT: \_\_\_\_\_ TAG: \_\_\_\_\_

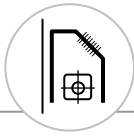
### SPECIFICATIONS

<b>HEIGHT (H)</b>	<input type="checkbox"/> 12"	<input type="checkbox"/> 18"
	<input type="checkbox"/> 24"	<input type="checkbox"/> _____
<b>MATERIAL</b>	<input type="checkbox"/> Steel (std.)	<input type="checkbox"/> Stainless Steel
	<input type="checkbox"/> _____	
<b>MATERIAL</b>	<input type="checkbox"/> 18 GA	<input type="checkbox"/> 16 GA (std.)
<b>GAUGE</b>	<input type="checkbox"/> 14 GA	<input type="checkbox"/> _____
<b>INLET STYLE</b>	<input type="checkbox"/> Open (std.)	<input type="checkbox"/> Stamped Louvers
	<input type="checkbox"/> Alum. Bargrille	<input type="checkbox"/> _____
<b>OUTLET STYLE</b>	<input type="checkbox"/> Stamped Louvers (std.)	<input type="checkbox"/> Alum. Bargrille
	<input type="checkbox"/> _____	
<b>CONTROL</b>	<input type="checkbox"/> None (std.)	<input type="checkbox"/> Manual Dampers
	<input type="checkbox"/> _____	
<b>JOGGLE STRIP</b>	<input type="checkbox"/> Partial (std.)	<input type="checkbox"/> Full Back Plate
<b>FINISH</b>	<input type="checkbox"/> Primer	<input type="checkbox"/> Std. Baked Enamel
	<input type="checkbox"/> _____	

ELEMENT MOUNTING DIMENSIONS	Element Model	Dim X open inlet	Dim X closed inlet
	C075	2 3/4"	4 3/4"
	C100	3"	5"
	C125	3"	5"



All fasteners by others. Inside corners and outside corners require fasteners by others.



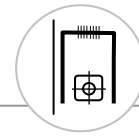
**CAPACITIES FOR TYPE SLM ENCLOSURE (BTUH/FT AT 65°F ENTERING AIR TEMPERATURE)**

Element	Enclosure Model	Height (in)	Rows	C/C (in)	Steam (1 psi 215°F)	Average Water Temperature (°F)							
						210	200	190	180	170	160	150	140
24C075	SLM-12S	12	1	-	1511	1436	1300	1179	1043	922	801	680	605
	SLM-18S	18	1	-	1651	1568	1420	1288	1139	1007	875	743	660
	SLM-24S	24	1	-	1756	1668	1510	1369	1211	1071	930	790	702
	SLM-18S	18	2	6	2267	2154	1950	1768	1564	1383	1202	1020	907
	SLM-24S	24	2	12	2569	2441	2210	2004	1773	1567	1362	1156	1028
24C100	SLM-12S	12	1	-	1393	1324	1198	1087	961	850	739	627	557
	SLM-18S	18	1	-	1492	1418	1283	1164	1030	910	791	671	597
	SLM-24S	24	1	-	1573	1494	1352	1227	1085	959	833	708	629
	SLM-18S	18	2	6	1851	1758	1592	1443	1277	1129	981	833	740
	SLM-24S	24	2	12	2092	1987	1799	1632	1443	1276	1109	941	837
24C125	SLM-12S	12	1	-	1557	1480	1339	1215	1075	950	825	701	623
	SLM-18S	18	1	-	1699	1614	1461	1325	1172	1036	901	765	680
	SLM-24S	24	1	-	1805	1715	1553	1408	1246	1101	957	812	722
	SLM-18S	18	2	6	2324	2208	1999	1813	1604	1418	1232	1046	930
	SLM-24S	24	2	12	2631	2500	2263	2052	1816	1605	1395	1184	1052

- Notes: 1. "C/C" column indicates center to center offset of tiered element.  
 2. Install element with 4" dimension in vertical and 2.75" dimension in horizontal.  
 3. Derate capacities by 7% for stamped louvers or aluminum bargrille inlet.  
 4. Refer to detailed element model descriptions on page 2 of catalog.

# Wallfin SLM-T

## Top Outlet Slimline Enclosure Dimensions

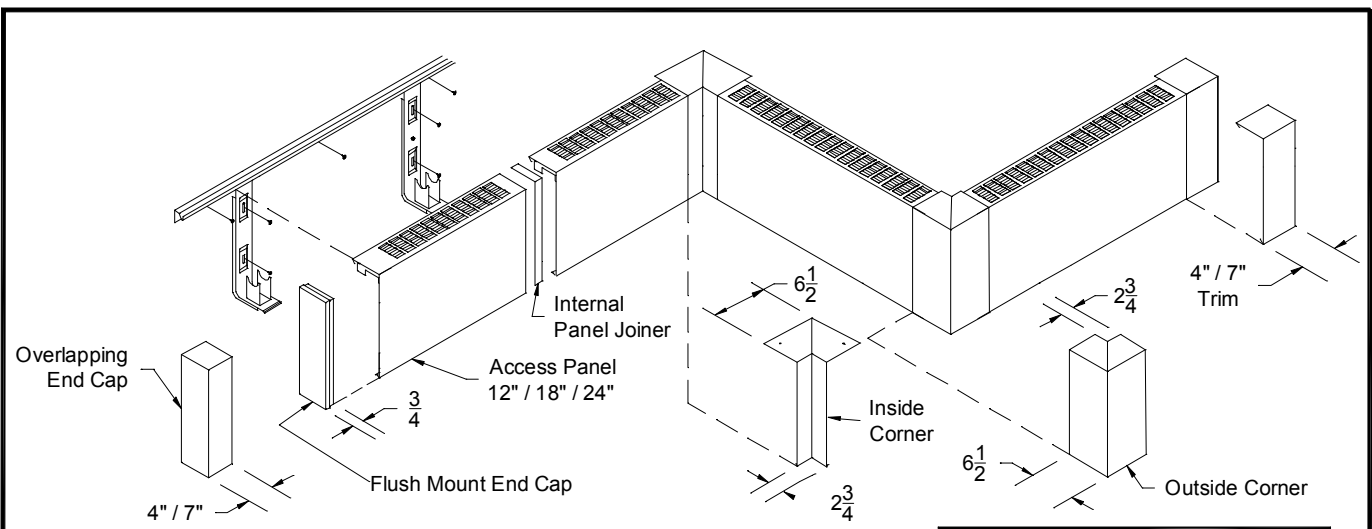
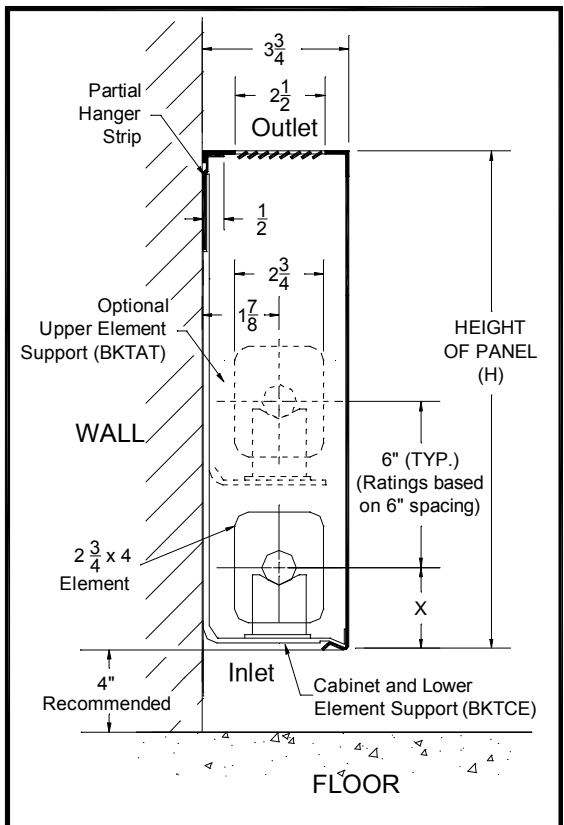


PROJECT: \_\_\_\_\_ TAG: \_\_\_\_\_

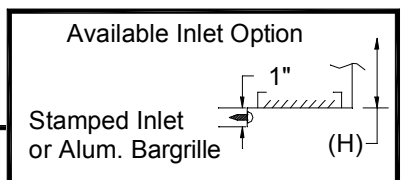
### SPECIFICATIONS

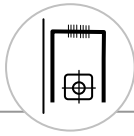
<b>HEIGHT (H)</b>	<input type="checkbox"/> 12"	<input type="checkbox"/> 18"
	<input type="checkbox"/> 24"	<input type="checkbox"/> _____
<b>MATERIAL</b>	<input type="checkbox"/> Steel (std.)	<input type="checkbox"/> Stainless Steel
	<input type="checkbox"/> _____	
<b>MATERIAL</b>	<input type="checkbox"/> 18 GA	<input type="checkbox"/> 16 GA (std.)
<b>GAUGE</b>	<input type="checkbox"/> 14 GA	<input type="checkbox"/> _____
<b>INLET STYLE</b>	<input type="checkbox"/> Open (std.)	<input type="checkbox"/> Stamped Louvers
	<input type="checkbox"/> Alum. Bargrille	<input type="checkbox"/> _____
<b>OUTLET STYLE</b>	<input type="checkbox"/> Stamped Louvers (std.)	<input type="checkbox"/> Alum. Bargrille
	<input type="checkbox"/> _____	
<b>CONTROL</b>	<input type="checkbox"/> None (std.)	<input type="checkbox"/> Manual Dampers
<input type="checkbox"/> _____		
<b>JOGGLE STRIP</b>	<input type="checkbox"/> Partial (std.)	<input type="checkbox"/> Full Back Plate
<b>FINISH</b>	<input type="checkbox"/> Primer	<input type="checkbox"/> Std. Baked Enamel
	<input type="checkbox"/> _____	

ELEMENT MOUNTING DIMENSIONS	Element Model	Dim X open inlet	Dim X closed inlet
	C075	2 3/4"	4 3/4"
	C100	3"	5"
	C125	3"	5"



All fasteners by others. Inside corners and outside corners require fasteners by others.





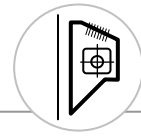
**CAPACITIES FOR TYPE SLM ENCLOSURE (BTUH/FT AT 65°F ENTERING AIR TEMPERATURE)**

Element	Enclosure Model	Height (in)	Rows	C/C (in)	Steam (1 psi 215°F)	Average Water Temperature (°F)							
						210	200	190	180	170	160	150	140
24C075	SLM-12T	12	1	-	1624	1543	1397	1267	1121	991	861	731	650
	SLM-18T	18	1	-	1764	1676	1517	1376	1217	1076	935	794	706
	SLM-24T	24	1	-	1874	1780	1612	1462	1293	1143	993	843	750
	SLM-18T	18	2	6	2396	2276	2061	1869	1653	1462	1270	1078	958
	SLM-24T	24	2	12	2581	2452	2220	2013	1781	1574	1368	1161	1032
24C100	SLM-12T	12	1	-	1199	1139	1031	935	828	732	636	540	480
	SLM-18T	18	1	-	1357	1289	1167	1058	936	828	719	611	543
	SLM-24T	24	1	-	1456	1383	1252	1136	1005	888	772	655	583
	SLM-18T	18	2	6	1825	1734	1570	1424	1259	1113	967	821	730
	SLM-24T	24	2	12	2119	2013	1822	1653	1462	1293	1123	954	848
24C125	SLM-12T	12	1	-	1717	1631	1476	1339	1185	1047	910	773	687
	SLM-18T	18	1	-	1816	1725	1562	1416	1253	1108	962	817	726
	SLM-24T	24	1	-	1926	1829	1656	1502	1329	1175	1021	867	770
	SLM-18T	18	2	6	2391	2271	2056	1865	1649	1458	1267	1076	956
	SLM-24T	24	2	12	2665	2532	2292	2079	1839	1626	1413	1199	1066

- Notes: 1. "C/C" column indicates center to center offset of tiered element.  
 2. Install element with 4" dimension in vertical and 2.75" dimension in horizontal.  
 3. Derate capacities by 7% for stamped louvers or aluminum bargrille inlet.  
 4. Refer to detailed element model descriptions on page 2 of catalog.

# Wallfin SBBW-S

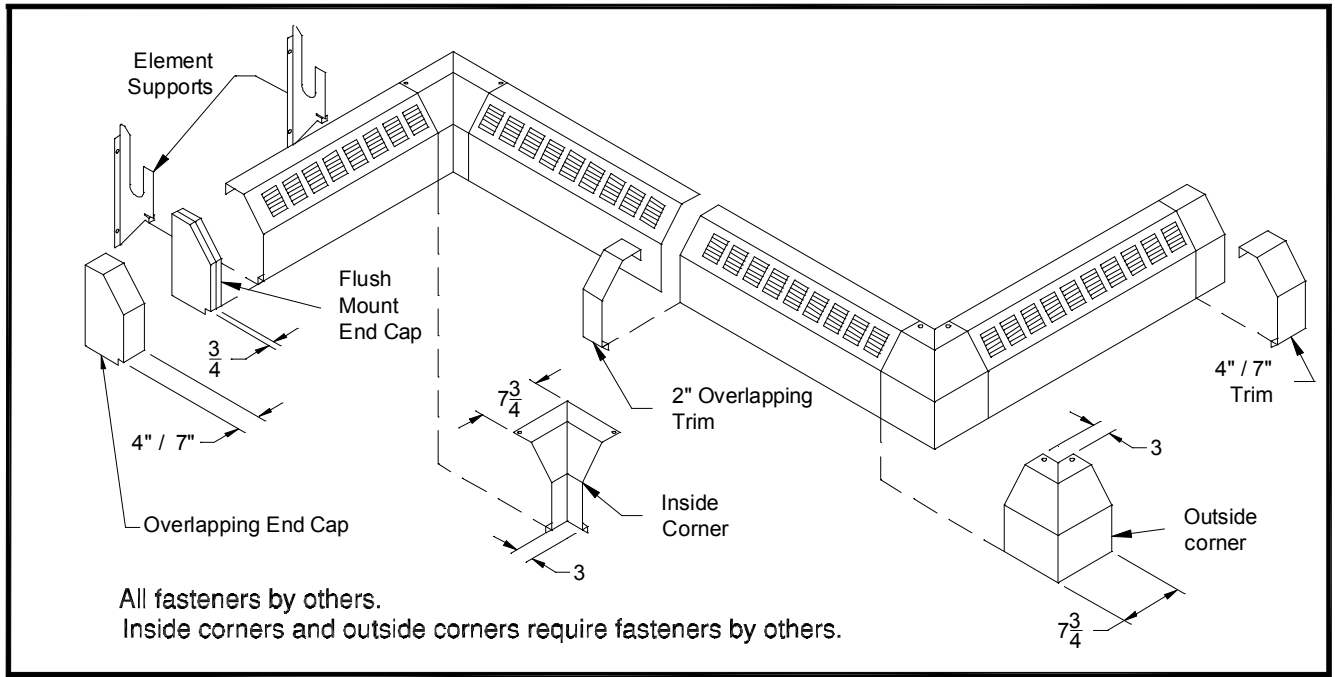
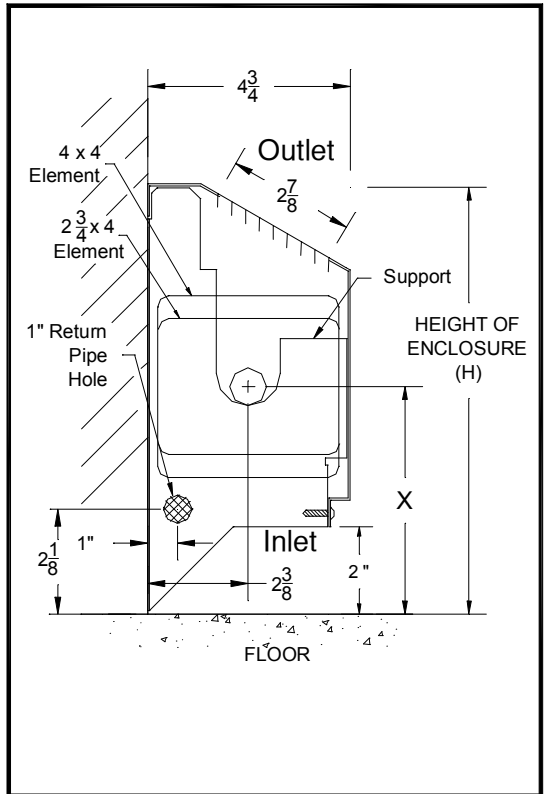
## Sloped Top Standard Baseboard Wide Enclosure Dimensions

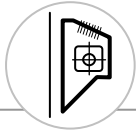


PROJECT: \_\_\_\_\_ TAG: \_\_\_\_\_

### SPECIFICATIONS

<b>HEIGHT (H)</b>	<input type="checkbox"/> 10"	<input type="checkbox"/> 12"
	<input type="checkbox"/> _____	
<b>MATERIAL</b>	<input type="checkbox"/> Steel (std.)	<input type="checkbox"/> Stainless Steel
	<input type="checkbox"/> _____	
<b>MATERIAL</b>	<input type="checkbox"/> 18 GA	<input type="checkbox"/> 16 GA (std.)
<b>GAUGE</b>	<input type="checkbox"/> _____	
<b>INLET STYLE</b>	<input type="checkbox"/> Open (std.)	
<b>OUTLET STYLE</b>	<input type="checkbox"/> Stamped Louvers (std.)	
<b>BACKPLATE</b>	<input type="checkbox"/> None (std.)	<input type="checkbox"/> Full Back Plate
<b>FINISH</b>	<input type="checkbox"/> Primer	<input type="checkbox"/> Std. Baked Enamel
	<input type="checkbox"/> _____	
<b>ELEMENT MOUNTING DIMENSIONS</b>	Element Model	Dim X
	C075	5 1/4"
	C100	5 3/8"
	C125	5 1/2"





**Sloped Top  
Standard Baseboard Wide Enclosure  
Capacities**

**Wallfin SBBW-S**

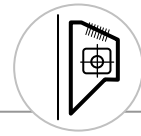
**CAPACITIES FOR TYPE SBBW ENCLOSURE (BTUH/FT AT 65°F ENTERING AIR TEMPERATURE)**

Element	Enclosure Model	Height (in)	Rows	C/C (in)	Steam (1 psi 215°F)	Average Water Temperature (°F)							
						210	200	190	180	170	160	150	140
24C075	SBBW-10S	10	1	-	1187	1128	1021	926	819	724	629	534	475
	SBBW-12S	12	1	-	1241	1179	1067	968	856	757	658	559	496
24C100	SBBW-10S	10	1	-	1189	1129	1022	927	820	725	630	535	476
	SBBW-12S	12	1	-	1243	1181	1069	969	857	758	659	559	497
24C125	SBBW-10S	10	1	-	1290	1226	1109	1006	890	787	684	581	516
	SBBW-12S	12	1	-	1348	1281	1159	1051	930	822	714	607	539
44C075	SBBW-10S	10	1	-	1749	1662	1505	1365	1207	1067	927	787	700
	SBBW-12S	12	1	-	1829	1738	1573	1427	1262	1116	969	823	732
44C100	SBBW-10S	10	1	-	1771	1682	1523	1381	1222	1080	939	797	708
	SBBW-12S	12	1	-	1851	1758	1592	1444	1277	1129	981	833	740
44C125	SBBW-10S	10	1	-	1950	1852	1677	1521	1345	1189	1033	877	780
	SBBW-12S	12	1	-	2038	1936	1752	1589	1406	1243	1080	917	815
S125-4x4	SBBW-10S	10	1	-	1482	1408	1275	1156	1023	904	785	667	593
	SBBW-12S	12	1	-	1467	1394	1262	1144	1012	895	778	660	587

Notes: 1. Capacities derived with element oriented with 4" dimension in horizontal.  
2. Refer to detailed element model descriptions on page 2 of catalog.

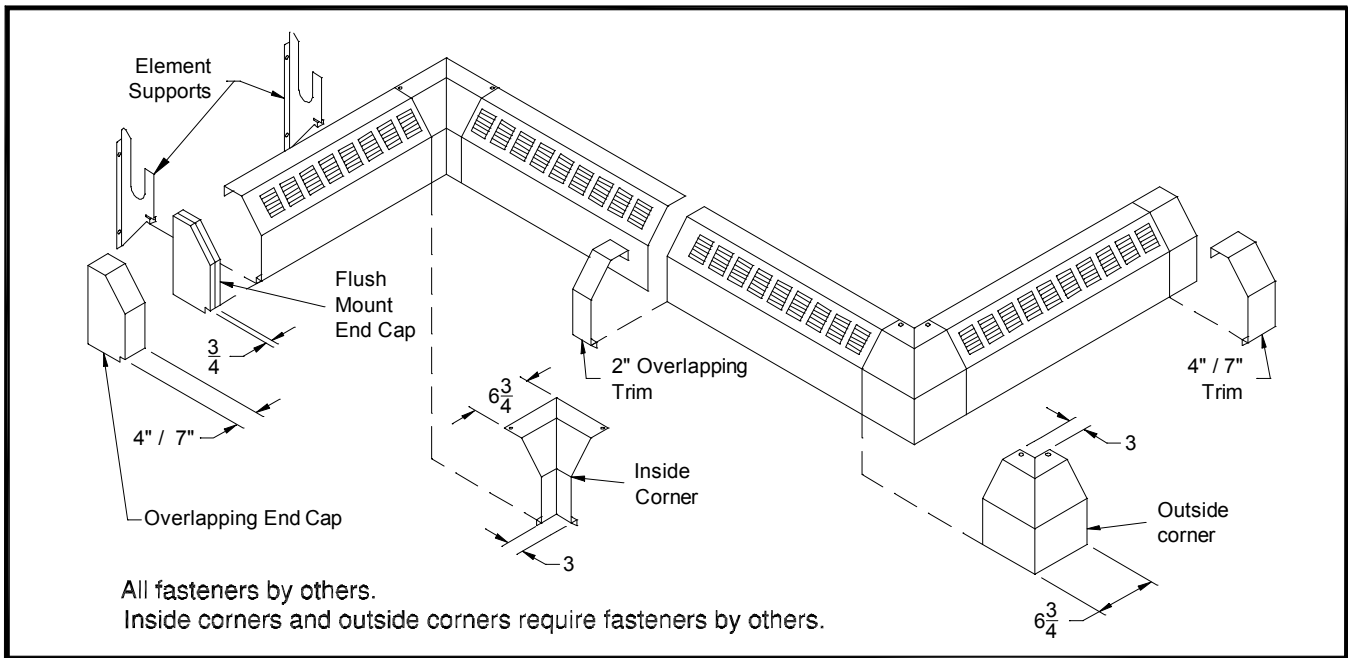
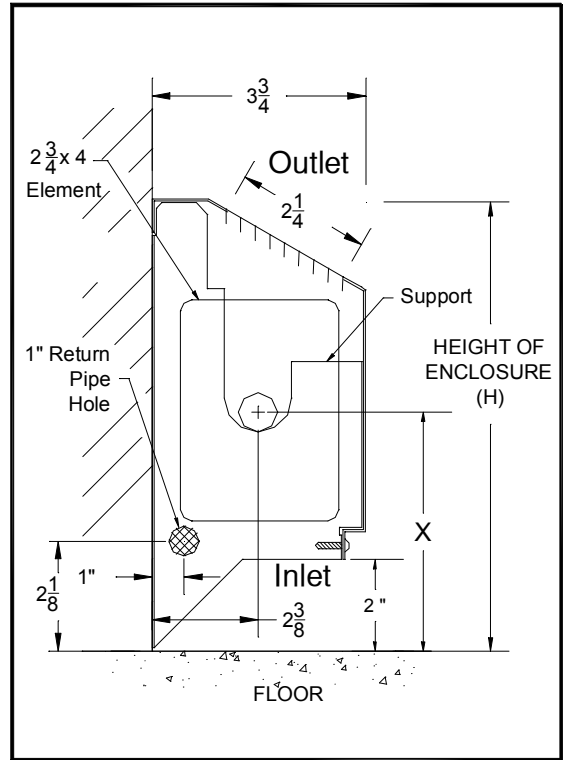
# Wallfin SBBN-S

## Sloped Top Standard Baseboard Narrow Enclosure Dimensions



PROJECT: \_\_\_\_\_ TAG: \_\_\_\_\_

SPECIFICATIONS		
HEIGHT (H)	<input type="checkbox"/> 10"	<input type="checkbox"/> 12"
	<input type="checkbox"/> _____	
MATERIAL	<input type="checkbox"/> Steel (std.)	<input type="checkbox"/> Stainless Steel
	<input type="checkbox"/> _____	
MATERIAL	<input type="checkbox"/> 18 GA	<input type="checkbox"/> 16 GA (std.)
GAUGE	<input type="checkbox"/> _____	
INLET STYLE	<input type="checkbox"/> Open (std.)	
OUTLET STYLE	<input type="checkbox"/> Stamped Louvers (std.)	
BACKPLATE	<input type="checkbox"/> None (std.)	<input type="checkbox"/> Full Back Plate
FINISH	<input type="checkbox"/> Primer	<input type="checkbox"/> Std. Baked Enamel
	<input type="checkbox"/> _____	
AVAILABLE INLET OPTION	Element Model	Dim X
	C075	5 1/4"
	C100	5 3/8"
	C125	5 1/2"





**Sloped Top  
Standard Baseboard Narrow Enclosure  
Capacities**

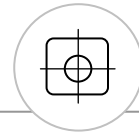
**Wallfin SBBN-S**

**CAPACITIES FOR TYPE SBBN ENCLOSURE (BTUH/FT AT 65°F ENTERING AIR TEMPERATURE)**

Element	Enclosure Model	Height (in)	Rows	C/C (in)	Steam (1 psi 215°F)	Average Water Temperature (°F)							
						210	200	190	180	170	160	150	140
24C075	SBBN-08S	8	1	-	947	900	814	739	653	578	502	426	379
	SBBN-10S	10	1	-	1278	1214	1099	997	882	780	677	575	511
	SBBN-12S	12	1	-	1449	1377	1246	1130	1000	884	768	652	580
24C100	SBBN-08S	8	1	-	952	904	819	743	657	581	505	428	381
	SBBN-10S	10	1	-	1297	1232	1115	1012	895	791	687	584	519
	SBBN-12S	12	1	-	1441	1369	1239	1124	994	879	764	648	576
24C125	SBBN-08S	8	1	-	907	862	780	707	626	553	481	408	363
	SBBN-10S	10	1	-	1304	1239	1121	1017	900	795	691	587	522
	SBBN-12S	12	1	-	1453	1380	1250	1133	1003	886	770	654	581

- Notes: 1. Install element with 4" dimension in vertical and 2.75" dimension in horizontal.  
 2. Refer to detailed element model descriptions on page 2 of catalog.





**JOB NAME:** \_\_\_\_\_ **DATE:** \_\_\_\_\_  
**JOB No.:** \_\_\_\_\_ **ISSUED BY:** \_\_\_\_\_  
**PO No.:** \_\_\_\_\_ **TAG:** \_\_\_\_\_

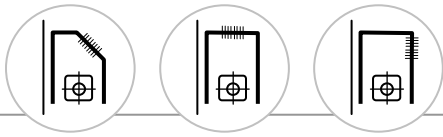
### BRACKETS

QUANTITY	MODEL	DESCRIPTION
	BKTEO <sup>(1)</sup>	Element Only Brackets

### ELEMENT

SELECT ONE	MODEL	DESCRIPTION	QUANTITY	LENGTHS
<input type="checkbox"/>	24C075	0.75" Cu Tube, 2.75"x4.00" Al Fin, 48 FPF		8 ft (96")
<input type="checkbox"/>	24C100	1.00" Cu Tube, 2.75"x4.00" Al Fin, 48 FPF		7 ft (84")
<input type="checkbox"/>	24C125	1.25" Cu Tube, 2.75"x4.00" Al Fin, 48 FPF		6 ft (72")
<input type="checkbox"/>	44C075	0.75" Cu Tube, 4.00"x4.00" Al Fin, 48 FPF		5 ft (60")
<input type="checkbox"/>	44C100	1.00" Cu Tube, 4.00"x4.00" Al Fin, 48 FPF		4 ft (48")
<input type="checkbox"/>	44C125	1.25" Cu Tube, 4.00"x4.00" Al Fin, 48 FPF		3 ft (36")
<input type="checkbox"/>	S125-4x4	1.25" Steel Tube, 4.25"x4.25" Steel Fin, 40 FPF		2 ft (24")

(1) Element Only Brackets (BKTEO) used for supporting single tier element.



# Order Form

# Wallfin SWE – S,T,F

**JOB NAME:** \_\_\_\_\_ **DATE:** \_\_\_\_\_  
**JOB NO.:** \_\_\_\_\_ **ISSUED BY:** \_\_\_\_\_  
**PO No.:** \_\_\_\_\_ **TAG:** \_\_\_\_\_

### ENCLOSURE TYPE (SELECT ONE OPTION PER LINE OR FILL CUSTOM OPTION)

<b>STYLE</b>	<input type="checkbox"/> S	<input type="checkbox"/> T	<input type="checkbox"/> F		
<b>HEIGHT</b>	<input type="checkbox"/> 6" (T style only)	<input type="checkbox"/> 12"	<input type="checkbox"/> 18"	<input type="checkbox"/> 24"	<input type="checkbox"/> Custom _____
<b>OUTLET</b>	<input type="checkbox"/> Louvers (std)	<input type="checkbox"/> Al.Bargrille			<input type="checkbox"/> Custom _____
<b>INLET</b>	<input type="checkbox"/> Open (std)	<input type="checkbox"/> Louvers	<input type="checkbox"/> Al.Bargrille		<input type="checkbox"/> Custom _____
<b>CONTROL</b>	<input type="checkbox"/> None (std)	<input type="checkbox"/> Damper			<input type="checkbox"/> Custom _____
<b>MATERIAL</b>	<input type="checkbox"/> Steel (std)	<input type="checkbox"/> Stainless			<input type="checkbox"/> Custom _____
<b>GAUGE</b>	<input type="checkbox"/> 16Ga (std)	<input type="checkbox"/> 18Ga	<input type="checkbox"/> 14Ga		<input type="checkbox"/> Custom _____
<b>FINISH</b>	<input type="checkbox"/> Primer Finish	<input type="checkbox"/> Sigma Color _____			<input type="checkbox"/> Custom _____

### ENCLOSURE PANELS

QUANTITY	MODEL	DESCRIPTION
	PNL72	6.0Ft (72") Panel
	PNL66	5.5Ft (66") Panel
	PNL60	5.0Ft (60") Panel
	PNL54	4.5Ft (54") Panel
	PNL48	4.0Ft (48") Panel
	PNL42	3.5Ft (42") Panel
	PNL36	3.0Ft (36") Panel
	PNL30	2.5Ft (30") Panel
	PNL24	2.0Ft (24") Panel
	PNL18	1.5Ft (18") Panel
	PNL12	1.0Ft (12") Panel
	PJ	Internal Panel Joiners
	BKTCE <sup>(1)</sup>	Cabinet/Element Brackets
	BKTAT <sup>(1)</sup>	Additional Tier Element Bracket
	BKTEO <sup>(2)</sup>	Element Only Brackets
	HS72	6Ft (72") Lengths of Hanger Strip
	BP72	6Ft (72") Lengths of Back Panel
	GSKT50	50Ft Roll 3/16"x1/2" Gasketing

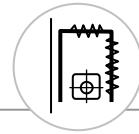
### ENCLOSURE ACCESSORIES

QUANTITY	MODEL	DESCRIPTION
	ECFMRH	Right Hand Flush Mount End Cap
	ECFMLH	Left Hand Flush Mount End Cap
	ECOVRH7	Right Hand 7" Overlapping End Cap
	ECOVRH4	Right Hand 4" Overlapping End Cap
	ECOVLH7	Left Hand 7" Overlapping End Cap
	ECOVLH4	Left Hand 4" Overlapping End Cap
	TR7	7" Trim
	TR4	4" Trim
	IC90	90 Degree Inside Corner
	OC90	90 Degree Outside Corner
	IC135	135 Degree Inside Corner
	OC135	135 Degree Outside Corner
	SPCL-CRNR	Special Corner _____
	FLDKAD <sup>(3,4)</sup>	Field Mounted Keyed Access Door
	FLDSAD <sup>(3,4)</sup>	Field Mounted Slotted Access Door

### ELEMENT

SELECT ONE	MODEL	DESCRIPTION	QUANTITY	LENGTHS
<input type="checkbox"/>	24C075	0.75" Cu Tube, 2.75"x4.00" Al Fin, 48 FPF		8 ft (96")
<input type="checkbox"/>	24C100	1.00" Cu Tube, 2.75"x4.00" Al Fin, 48 FPF		7 ft (84")
<input type="checkbox"/>	24C125	1.25" Cu Tube, 2.75"x4.00" Al Fin, 48 FPF		6 ft (72")
<input type="checkbox"/>	44C075	0.75" Cu Tube, 4.00"x4.00" Al Fin, 48 FPF		5 ft (60")
<input type="checkbox"/>	44C100	1.00" Cu Tube, 4.00"x4.00" Al Fin, 48 FPF		4 ft (48")
<input type="checkbox"/>	44C125	1.25" Cu Tube, 4.00"x4.00" Al Fin, 48 FPF		3 ft (36")
<input type="checkbox"/>	S125-4x4	1.25" Steel Tube, 4.25"x4.25" Steel Fin, 40 FPF		2 ft (24")

- (1) Use BKTCE and BKTAT brackets with "Open Inlet" style enclosure only.  
 (2) Use BKTEO bracket with "Closed Inlet" style enclosure only.  
 (3) "Keyed" access doors require a key to open/close. "Slotted" access doors have an easy access slot to open/close.  
 (4) Access doors are shipped loose for field mounting. Enclosure must have a flat surface large enough to accept access door (7.5"x7.5").



**JOB NAME:** \_\_\_\_\_ **DATE:** \_\_\_\_\_  
**JOB NO.:** \_\_\_\_\_ **ISSUED BY:** \_\_\_\_\_  
**PO No.:** \_\_\_\_\_ **TAG:** \_\_\_\_\_

### ENCLOSURE TYPE (SELECT ONE OPTION PER LINE OR FILL CUSTOM OPTION)

<b>STYLE</b>	<input type="checkbox"/> X			
<b>HEIGHT</b>	<input type="checkbox"/> 12"	<input type="checkbox"/> 18"	<input type="checkbox"/> 24"	<input type="checkbox"/> Custom _____
<b>OUTLET</b>	<input type="checkbox"/> Mesh (std)			<input type="checkbox"/> Custom _____
<b>INLET</b>	<input type="checkbox"/> Open (std)	<input type="checkbox"/> Closed		<input type="checkbox"/> Custom _____
<b>CONTROL</b>	<input type="checkbox"/> None (std)			<input type="checkbox"/> Custom _____
<b>MATERIAL</b>	<input type="checkbox"/> Steel (std)			<input type="checkbox"/> Custom _____
<b>GAUGE</b>	<input type="checkbox"/> 16Ga (std)			<input type="checkbox"/> Custom _____
<b>FINISH</b>	<input type="checkbox"/> Primer Finish	<input type="checkbox"/> Sigma Color _____		<input type="checkbox"/> Custom _____

### ENCLOSURE PANELS

QUANTITY	MODEL	DESCRIPTION
	PNL72	6.0Ft (72") Panel
	PNL66	5.5Ft (66") Panel
	PNL60	5.0Ft (60") Panel
	PNL54	4.5Ft (54") Panel
	PNL48	4.0Ft (48") Panel
	PNL42	3.5Ft (42") Panel
	PNL36	3.0Ft (36") Panel
	PNL30	2.5Ft (30") Panel
	PNL24	2.0Ft (24") Panel
	PNL18	1.5Ft (18") Panel
	PNL12	1.0Ft (12") Panel
	PJ	Internal Panel Joiners
	BKTCE <sup>(1)</sup>	Cabinet/Element Brackets
	BKTAT <sup>(1)</sup>	Additional Tier Element Bracket
	BKTEO <sup>(2)</sup>	Element Only Brackets
	HS72	6Ft (72") Lengths of Hanger Strip
	BP72	6Ft (72") Lengths of Back Panel
	GSKT50	50Ft Roll 3/16"x1/2" Gasketing

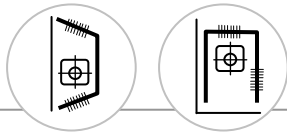
### ENCLOSURE ACCESSORIES

QUANTITY	MODEL	DESCRIPTION
	ECFMRH	Right Hand Flush Mount End Cap
	ECFMLH	Left Hand Flush Mount End Cap
	ECOVRH7	Right Hand 7" Overlapping End Cap
	ECOVRH4	Right Hand 4" Overlapping End Cap
	ECOVLH7	Left Hand 7" Overlapping End Cap
	ECOVLH4	Left Hand 4" Overlapping End Cap
	TR7	7" Trim
	TR4	4" Trim
	IC90	90 Degree Inside Corner
	OC90	90 Degree Outside Corner
	IC135	135 Degree Inside Corner
	OC135	135 Degree Outside Corner
	SPCL-CRNR	Special Corner _____
	FLDKAD <sup>(3,4)</sup>	Field Mounted Keyed Access Door
	FLDSAD <sup>(3,4)</sup>	Field Mounted Slotted Access Door

### ELEMENT

SELECT ONE	MODEL	DESCRIPTION	QUANTITY	LENGTHS
<input type="checkbox"/>	24C075	0.75" Cu Tube, 2.75"x4.00" Al Fin, 48 FPF		8 ft (96")
<input type="checkbox"/>	24C100	1.00" Cu Tube, 2.75"x4.00" Al Fin, 48 FPF		7 ft (84")
<input type="checkbox"/>	24C125	1.25" Cu Tube, 2.75"x4.00" Al Fin, 48 FPF		6 ft (72")
<input type="checkbox"/>	44C075	0.75" Cu Tube, 4.00"x4.00" Al Fin, 48 FPF		5 ft (60")
<input type="checkbox"/>	44C100	1.00" Cu Tube, 4.00"x4.00" Al Fin, 48 FPF		4 ft (48")
<input type="checkbox"/>	44C125	1.25" Cu Tube, 4.00"x4.00" Al Fin, 48 FPF		3 ft (36")
<input type="checkbox"/>	S125-4x4	1.25" Steel Tube, 4.25"x4.25" Steel Fin, 40 FPF		2 ft (24")

- (1) Use BKTCE and BKTAT brackets with "Open Inlet" style enclosure only.
- (2) Use BKTEO bracket with "Closed Inlet" style enclosure only.
- (3) "Keyed" access doors require a key to open/close. "Slotted" access doors have an easy access slot to open/close.
- (4) Access doors are shipped loose for field mounting. Enclosure must have a flat surface large enough to accept access door (7.5"x7.5").



# Order Form Wallfin SWE – SS, TF

**JOB NAME:** \_\_\_\_\_ **DATE:** \_\_\_\_\_  
**JOB NO.:** \_\_\_\_\_ **ISSUED BY:** \_\_\_\_\_  
**PO No.:** \_\_\_\_\_ **TAG:** \_\_\_\_\_

### ENCLOSURE TYPE (SELECT ONE OPTION PER LINE OR FILL CUSTOM OPTION)

<b>STYLE</b>	<input type="checkbox"/> SS	<input type="checkbox"/> TF			
<b>HEIGHT</b>	<input type="checkbox"/> 14" (SS only)	<input type="checkbox"/> 18" (SS only)	<input type="checkbox"/> 24" (SS only)	<input type="checkbox"/> 30" (SS only)	<input type="checkbox"/> Custom _____
	<input type="checkbox"/> 10" (TF only)	<input type="checkbox"/> 16" (TF only)	<input type="checkbox"/> 22" (TF only)		
<b>OUTLET</b>	<input type="checkbox"/> Louvers (std)	<input type="checkbox"/> Al.Bargrille	<input type="checkbox"/> Custom _____		
<b>INLET</b>	<input type="checkbox"/> Louvers (std)	<input type="checkbox"/> Al.Bargrille	<input type="checkbox"/> Custom _____		
<b>CONTROL</b>	<input type="checkbox"/> None (std)	<input type="checkbox"/> Damper	<input type="checkbox"/> Custom _____		
<b>MATERIAL</b>	<input type="checkbox"/> Steel (std)	<input type="checkbox"/> Stainless	<input type="checkbox"/> Custom _____		
<b>GAUGE</b>	<input type="checkbox"/> 16Ga (std)	<input type="checkbox"/> 18Ga	<input type="checkbox"/> 14Ga	<input type="checkbox"/> Custom _____	
<b>FINISH</b>	<input type="checkbox"/> Primer Finish	<input type="checkbox"/> Sigma Color _____	<input type="checkbox"/> Custom _____		

### ENCLOSURE PANELS

QUANTITY	MODEL	DESCRIPTION
	PNL72	6.0Ft (72") Panel
	PNL66	5.5Ft (66") Panel
	PNL60	5.0Ft (60") Panel
	PNL54	4.5Ft (54") Panel
	PNL48	4.0Ft (48") Panel
	PNL42	3.5Ft (42") Panel
	PNL36	3.0Ft (36") Panel
	PNL30	2.5Ft (30") Panel
	PNL24	2.0Ft (24") Panel
	PNL18	1.5Ft (18") Panel
	PNL12	1.0Ft (12") Panel
	PJ	Internal Panel Joiners
	AC72	6.0Ft (72") Lengths of Angle Channel
	BKTEO	Element Only Brackets
	HS72	6Ft (72") Lengths of Hanger Strip
	BP72	6Ft (72") Lengths of Back Panel
	GSKT50	50Ft Roll 3/16"x1/2" Gasketing

### ENCLOSURE ACCESSORIES

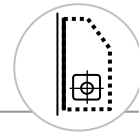
QUANTITY	MODEL	DESCRIPTION
	ECFMRH	Right Hand Flush Mount End Cap
	ECFMLH	Left Hand Flush Mount End Cap
	ECOVRH7	Right Hand 7" Overlapping End Cap
	ECOVRH4	Right Hand 4" Overlapping End Cap
	ECOVLH7	Left Hand 7" Overlapping End Cap
	ECOVLH4	Left Hand 4" Overlapping End Cap
	TR7	7" Trim
	TR4	4" Trim
	IC90	90 Degree Inside Corner
	OC90	90 Degree Outside Corner
	IC135	135 Degree Inside Corner
	OC135	135 Degree Outside Corner
	SPCL-CRNR	Special Corner _____
	FLDKAD <sup>(3,4)</sup>	Field Mounted Keyed Access Door
	FLDSAD <sup>(3,4)</sup>	Field Mounted Slotted Access Door

### ELEMENT

SELECT ONE	MODEL	DESCRIPTION	QUANTITY	LENGTHS
<input type="checkbox"/>	24C075	0.75" Cu Tube, 2.75"x4.00" Al Fin, 48 FPF		8 ft (96")
<input type="checkbox"/>	24C100	1.00" Cu Tube, 2.75"x4.00" Al Fin, 48 FPF		7 ft (84")
<input type="checkbox"/>	24C125	1.25" Cu Tube, 2.75"x4.00" Al Fin, 48 FPF		6 ft (72")
<input type="checkbox"/>	44C075	0.75" Cu Tube, 4.00"x4.00" Al Fin, 48 FPF		5 ft (60")
<input type="checkbox"/>	44C100	1.00" Cu Tube, 4.00"x4.00" Al Fin, 48 FPF		4 ft (48")
<input type="checkbox"/>	44C125	1.25" Cu Tube, 4.00"x4.00" Al Fin, 48 FPF		3 ft (36")
<input type="checkbox"/>	S125-4x4	1.25" Steel Tube, 4.25"x4.25" Steel Fin, 40 FPF		2 ft (24")

(3) "Keyed" access doors require a key to open/close. "Slotted" access doors have an easy access slot to open/close.

(4) Access doors are shipped loose for field mounting. Enclosure must have a flat surface large enough to accept access door (7.5"x7.5").



**JOB NAME:** \_\_\_\_\_ **DATE:** \_\_\_\_\_  
**JOB No.:** \_\_\_\_\_ **ISSUED BY:** \_\_\_\_\_  
**PO No.:** \_\_\_\_\_ **TAG:** \_\_\_\_\_

### ENCLOSURE TYPE (SELECT ONE OPTION PER LINE OR FILL CUSTOM OPTION)

STYLE	<input type="checkbox"/> S			
HEIGHT	<input type="checkbox"/> 12"	<input type="checkbox"/> 18"	<input type="checkbox"/> 24"	<input type="checkbox"/> Custom _____
OUTLET	<input type="checkbox"/> Full Perforated			<input type="checkbox"/> Custom _____
INLET	<input type="checkbox"/> Full Perforated			<input type="checkbox"/> Custom _____
CONTROL	<input type="checkbox"/> None (std)			<input type="checkbox"/> Custom _____
MATERIAL	<input type="checkbox"/> Steel (std)	<input type="checkbox"/> Stainless		<input type="checkbox"/> Custom _____
GAUGE	<input type="checkbox"/> 14Ga (std)	<input type="checkbox"/> 12Ga		<input type="checkbox"/> Custom _____
FINISH	<input type="checkbox"/> Primer Finish	<input type="checkbox"/> Sigma Color _____		<input type="checkbox"/> Custom _____

### ENCLOSURE PANELS

QUANTITY	MODEL	DESCRIPTION
	PNL72	6.0Ft (72") Panel
	PNL66	5.5Ft (66") Panel
	PNL60	5.0Ft (60") Panel
	PNL54	4.5Ft (54") Panel
	PNL48	4.0Ft (48") Panel
	PNL42	3.5Ft (42") Panel
	PNL36	3.0Ft (36") Panel
	PNL30	2.5Ft (30") Panel
	PNL24	2.0Ft (24") Panel
	PNL18	1.5Ft (18") Panel
	PNL12	1.0Ft (12") Panel
	TR2 <sup>(1)</sup>	2" Center Overlapping Trims
	BKTEO	Element Only Brackets
	JS72	6Ft (72") Lengths of Joggle Strip
	BP72	6Ft (72") Lengths of Back Panel
	GSKT50	50Ft Roll 3/16"x1/2" Gasketing

### ENCLOSURE ACCESSORIES

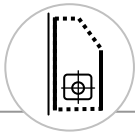
QUANTITY	MODEL	DESCRIPTION
	ECOVRH7	Right Hand 7" Overlapping End Cap
	ECOVRH4	Right Hand 4" Overlapping End Cap
	ECOVLH7	Left Hand 7" Overlapping End Cap
	ECOVLH4	Left Hand 4" Overlapping End Cap
	TR7LH <sup>(2)</sup>	7" Trim – Left Hand
	TR7RH <sup>(2)</sup>	7" Trim – Right Hand
	TR4LH <sup>(2)</sup>	4" Trim – Left Hand
	TR4RH <sup>(2)</sup>	4" Trim – Right Hand
	IC90	90 Degree Inside Corner
	OC90	90 Degree Outside Corner
	IC135	135 Degree Inside Corner
	OC135	135 Degree Outside Corner
	SPCL-CRNR	Special Corner _____

### ELEMENT

SELECT ONE	MODEL	DESCRIPTION	QUANTITY	LENGTHS
<input type="checkbox"/>	24C075	0.75" Cu Tube, 2.75"x4.00" Al Fin, 48 FPF		8 ft (96")
<input type="checkbox"/>	24C100	1.00" Cu Tube, 2.75"x4.00" Al Fin, 48 FPF		7 ft (84")
<input type="checkbox"/>	24C125	1.25" Cu Tube, 2.75"x4.00" Al Fin, 48 FPF		6 ft (72")
<input type="checkbox"/>	44C075	0.75" Cu Tube, 4.00"x4.00" Al Fin, 48 FPF		5 ft (60")
<input type="checkbox"/>	44C100	1.00" Cu Tube, 4.00"x4.00" Al Fin, 48 FPF		4 ft (48")
<input type="checkbox"/>	44C125	1.25" Cu Tube, 4.00"x4.00" Al Fin, 48 FPF		3 ft (36")
<input type="checkbox"/>	S125-4x4	1.25" Steel Tube, 4.25"x4.25" Steel Fin, 40 FPF		2 ft (24")

(1) Use 2" center trims in lieu of panel joiners.

(2) Security trims are handed. Left hand trims have holes on the right side and Right hand trims have holes on the left side.



# Order Form

# Wallfin SEC – PP

**JOB NAME:** \_\_\_\_\_ **DATE:** \_\_\_\_\_  
**JOB NO.:** \_\_\_\_\_ **ISSUED BY:** \_\_\_\_\_  
**PO No.:** \_\_\_\_\_ **TAG:** \_\_\_\_\_

### ENCLOSURE TYPE (SELECT ONE OPTION PER LINE OR FILL CUSTOM OPTION)

<b>STYLE</b>	<input type="checkbox"/> S			
<b>HEIGHT</b>	<input type="checkbox"/> 12"	<input type="checkbox"/> 18"	<input type="checkbox"/> 24"	<input type="checkbox"/> Custom _____
<b>OUTLET</b>	<input type="checkbox"/> Partial Perforated			<input type="checkbox"/> Custom _____
<b>INLET</b>	<input type="checkbox"/> Partial Perforated			<input type="checkbox"/> Custom _____
<b>CONTROL</b>	<input type="checkbox"/> None (std)			<input type="checkbox"/> Custom _____
<b>MATERIAL</b>	<input type="checkbox"/> Steel (std)	<input type="checkbox"/> Stainless		<input type="checkbox"/> Custom _____
<b>GAUGE</b>	<input type="checkbox"/> 14Ga (std)	<input type="checkbox"/> 12Ga		<input type="checkbox"/> Custom _____
<b>FINISH</b>	<input type="checkbox"/> Primer Finish	<input type="checkbox"/> Sigma Color _____		<input type="checkbox"/> Custom _____

### ENCLOSURE PANELS

QUANTITY	MODEL	DESCRIPTION
	PNL72	6.0Ft (72") Panel
	PNL66	5.5Ft (66") Panel
	PNL60	5.0Ft (60") Panel
	PNL54	4.5Ft (54") Panel
	PNL48	4.0Ft (48") Panel
	PNL42	3.5Ft (42") Panel
	PNL36	3.0Ft (36") Panel
	PNL30	2.5Ft (30") Panel
	PNL24	2.0Ft (24") Panel
	PNL18	1.5Ft (18") Panel
	PNL12	1.0Ft (12") Panel
	TR2 <sup>(1)</sup>	2" Center Overlapping Trims
	BKTEO	Element Only Brackets
	JS72	6Ft (72") Lengths of Joggle Strip
	BP72	6Ft (72") Lengths of Back Panel
	GSKT50	50Ft Roll 3/16"x1/2" Gasketing

### ENCLOSURE ACCESSORIES

QUANTITY	MODEL	DESCRIPTION
	ECOVRH7	Right Hand 7" Overlapping End Cap
	ECOVRH4	Right Hand 4" Overlapping End Cap
	ECOVLH7	Left Hand 7" Overlapping End Cap
	ECOVLH4	Left Hand 4" Overlapping End Cap
	TR7LH <sup>(2)</sup>	7" Trim – Left Hand
	TR7RH <sup>(2)</sup>	7" Trim – Right Hand
	TR4LH <sup>(2)</sup>	4" Trim – Left Hand
	TR4RH <sup>(2)</sup>	4" Trim – Right Hand
	IC90	90 Degree Inside Corner
	OC90	90 Degree Outside Corner
	IC135	135 Degree Inside Corner
	OC135	135 Degree Outside Corner
	SPCL-CRNR	Special Corner _____

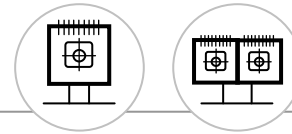
### ELEMENT

SELECT ONE	MODEL	DESCRIPTION	QUANTITY	LENGTHS
<input type="checkbox"/>	24C075	0.75" Cu Tube, 2.75"x4.00" Al Fin, 48 FPF		8 ft (96")
<input type="checkbox"/>	24C100	1.00" Cu Tube, 2.75"x4.00" Al Fin, 48 FPF		7 ft (84")
<input type="checkbox"/>	24C125	1.25" Cu Tube, 2.75"x4.00" Al Fin, 48 FPF		6 ft (72")
<input type="checkbox"/>	44C075	0.75" Cu Tube, 4.00"x4.00" Al Fin, 48 FPF		5 ft (60")
<input type="checkbox"/>	44C100	1.00" Cu Tube, 4.00"x4.00" Al Fin, 48 FPF		4 ft (48")
<input type="checkbox"/>	44C125	1.25" Cu Tube, 4.00"x4.00" Al Fin, 48 FPF		3 ft (36")
<input type="checkbox"/>	S125-4x4	1.25" Steel Tube, 4.25"x4.25" Steel Fin, 40 FPF		2 ft (24")

(1) Use 2" center trims in lieu of panel joiners.

(2) Security trims are handed. Left hand trims have holes on the right side and Right hand trims have holes on the left side.

# Wallfin FST – PT, P2T Order Form



**JOB NAME:** \_\_\_\_\_ **DATE:** \_\_\_\_\_  
**JOB NO.:** \_\_\_\_\_ **ISSUED BY:** \_\_\_\_\_  
**PO No.:** \_\_\_\_\_ **TAG:** \_\_\_\_\_

## ENCLOSURE TYPE (SELECT ONE OPTION PER LINE OR FILL CUSTOM OPTION)

<b>STYLE</b>	<input type="checkbox"/> PT	<input type="checkbox"/> P2T			
<b>HEIGHT</b>	<input type="checkbox"/> 6"	<input type="checkbox"/> 12" (for PT)	<input type="checkbox"/> 18" (for PT)	<input type="checkbox"/> 24" (for PT)	<input type="checkbox"/> Custom _____
<b>OUTLET</b>	<input type="checkbox"/> Louvers (std)	<input type="checkbox"/> Al.Bargrille			<input type="checkbox"/> Custom _____
<b>INLET</b>	<input type="checkbox"/> Open (std)				
<b>CONTROL</b>	<input type="checkbox"/> None (std)	<input type="checkbox"/> Damper			<input type="checkbox"/> Custom _____
<b>MATERIAL</b>	<input type="checkbox"/> Steel (std)	<input type="checkbox"/> Stainless			<input type="checkbox"/> Custom _____
<b>GAUGE</b>	<input type="checkbox"/> 16Ga (std)	<input type="checkbox"/> 18Ga	<input type="checkbox"/> 14Ga		<input type="checkbox"/> Custom _____
<b>FINISH</b>	<input type="checkbox"/> Primer Finish	<input type="checkbox"/> Sigma Color _____			<input type="checkbox"/> Custom _____

## ENCLOSURE PANELS

QUANTITY	MODEL	DESCRIPTION
	PNL72	6.0Ft (72") Panel
	PNL66	5.5Ft (66") Panel
	PNL60	5.0Ft (60") Panel
	PNL54	4.5Ft (54") Panel
	PNL48	4.0Ft (48") Panel
	PNL42	3.5Ft (42") Panel
	PNL36	3.0Ft (36") Panel
	PNL30	2.5Ft (30") Panel
	PNL24	2.0Ft (24") Panel
	PNL18	1.5Ft (18") Panel
	PNL12	1.0Ft (12") Panel
	PJ	Internal Panel Joiners
	PED1TIER	Single Tier Pedestal
	PED2TIER <sup>(1)</sup>	Double Tier Pedestal

## ENCLOSURE ACCESSORIES

QUANTITY	MODEL	DESCRIPTION
	ECFMRH	Right Hand Flush Mount End Cap
	ECFMLH	Left Hand Flush Mount End Cap
	ECOVRH7	Right Hand 7" Overlapping End Cap
	ECOVRH4	Right Hand 4" Overlapping End Cap
	ECOVLH7	Left Hand 7" Overlapping End Cap
	ECOVLH4	Left Hand 4" Overlapping End Cap
	TR7	7" Trim
	TR4	4" Trim
	IC90	90 Degree Inside Corner
	OC90	90 Degree Outside Corner
	IC135	135 Degree Inside Corner
	OC135	135 Degree Outside Corner
	SPCL-CRNR	Special Corner _____
	FLDKAD <sup>(3,4)</sup>	Field Mounted Keyed Access Door
	FLDSAD <sup>(3,4)</sup>	Field Mounted Slotted Access Door

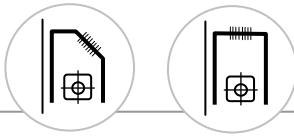
## ELEMENT

SELECT ONE	MODEL	DESCRIPTION	QUANTITY	LENGTHS
<input type="checkbox"/>	24C075	0.75" Cu Tube, 2.75"x4.00" Al Fin, 48 FPF		8 ft (96")
<input type="checkbox"/>	24C100	1.00" Cu Tube, 2.75"x4.00" Al Fin, 48 FPF		7 ft (84")
<input type="checkbox"/>	24C125	1.25" Cu Tube, 2.75"x4.00" Al Fin, 48 FPF		6 ft (72")
<input type="checkbox"/>	44C075	0.75" Cu Tube, 4.00"x4.00" Al Fin, 48 FPF		5 ft (60")
<input type="checkbox"/>	44C100	1.00" Cu Tube, 4.00"x4.00" Al Fin, 48 FPF		4 ft (48")
<input type="checkbox"/>	44C125	1.25" Cu Tube, 4.00"x4.00" Al Fin, 48 FPF		3 ft (36")
<input type="checkbox"/>	S125-4x4	1.25" Steel Tube, 4.25"x4.25" Steel Fin, 40 FPF		2 ft (24")

(1) Call factory for pedestals requiring more than 2 tiers.

(3) "Keyed" access doors require a key to open/close. "Slotted" access doors have an easy access slot to open/close.

(4) Access doors are shipped loose for field mounting. Enclosure must have a flat surface large enough to accept access door (7.5"x7.5").



# Order Form

# Wallfin SLM – S,T

**JOB NAME:** \_\_\_\_\_ **DATE:** \_\_\_\_\_  
**JOB No.:** \_\_\_\_\_ **ISSUED BY:** \_\_\_\_\_  
**PO No.:** \_\_\_\_\_ **TAG:** \_\_\_\_\_

### ENCLOSURE TYPE (SELECT ONE OPTION PER LINE OR FILL CUSTOM OPTION)

<b>STYLE</b>	<input type="checkbox"/> S	<input type="checkbox"/> T			
<b>HEIGHT</b>	<input type="checkbox"/> 6" (T style only)	<input type="checkbox"/> 12"	<input type="checkbox"/> 18"	<input type="checkbox"/> 24"	<input type="checkbox"/> Custom _____
<b>OUTLET</b>	<input type="checkbox"/> Louvers (std)	<input type="checkbox"/> Al.Bargrille	<input type="checkbox"/> Custom _____		
<b>INLET</b>	<input type="checkbox"/> Open (std)	<input type="checkbox"/> Louvers	<input type="checkbox"/> Al.Bargrille	<input type="checkbox"/> Custom _____	
<b>CONTROL</b>	<input type="checkbox"/> None (std)	<input type="checkbox"/> Damper	<input type="checkbox"/> Custom _____		
<b>MATERIAL</b>	<input type="checkbox"/> Steel (std)	<input type="checkbox"/> Stainless	<input type="checkbox"/> Custom _____		
<b>GAUGE</b>	<input type="checkbox"/> 16Ga (std)	<input type="checkbox"/> 18Ga	<input type="checkbox"/> 14Ga	<input type="checkbox"/> Custom _____	
<b>FINISH</b>	<input type="checkbox"/> Primer Finish	<input type="checkbox"/> Sigma Color _____	<input type="checkbox"/> Custom _____		

### ENCLOSURE PANELS

QUANTITY	MODEL	DESCRIPTION
	PNL72	6.0Ft (72") Panel
	PNL66	5.5Ft (66") Panel
	PNL60	5.0Ft (60") Panel
	PNL54	4.5Ft (54") Panel
	PNL48	4.0Ft (48") Panel
	PNL42	3.5Ft (42") Panel
	PNL36	3.0Ft (36") Panel
	PNL30	2.5Ft (30") Panel
	PNL24	2.0Ft (24") Panel
	PNL18	1.5Ft (18") Panel
	PNL12	1.0Ft (12") Panel
	PJ	Internal Panel Joiners
	BKTCE <sup>(1)</sup>	Cabinet/Element Brackets
	BKTAT <sup>(1)</sup>	Additional Tier Element Bracket
	BKTEO <sup>(2)</sup>	Element Only Brackets
	JS72	6Ft (72") Lengths of Joggle Strip
	BP72	6Ft (72") Lengths of Back Panel
	GSKT50	50Ft Roll 3/16"x1/2" Gasketing

### ENCLOSURE ACCESSORIES

QUANTITY	MODEL	DESCRIPTION
	ECFMRH	Right Hand Flush Mount End Cap
	ECFMLH	Left Hand Flush Mount End Cap
	ECOVRH7	Right Hand 7" Overlapping End Cap
	ECOVRH4	Right Hand 4" Overlapping End Cap
	ECOVLH7	Left Hand 7" Overlapping End Cap
	ECOVLH4	Left Hand 4" Overlapping End Cap
	TR7	7" Trim
	TR4	4" Trim
	IC90	90 Degree Inside Corner
	OC90	90 Degree Outside Corner
	IC135	135 Degree Inside Corner
	OC135	135 Degree Outside Corner
	SPCL-CRNR	Special Corner _____
	FLDKAD <sup>(3,4)</sup>	Field Mounted Keyed Access Door
	FLDSAD <sup>(3,4)</sup>	Field Mounted Slotted Access Door

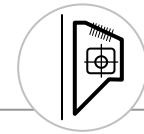
### ELEMENT

SELECT ONE	MODEL	DESCRIPTION	QUANTITY	LENGTHS
<input type="checkbox"/>	24C075	0.75" Cu Tube, 2.75"x4.00" Al Fin, 48 FPF		8 ft (96")
<input type="checkbox"/>	24C100	1.00" Cu Tube, 2.75"x4.00" Al Fin, 48 FPF		7 ft (84")
<input type="checkbox"/>	24C125	1.25" Cu Tube, 2.75"x4.00" Al Fin, 48 FPF		6 ft (72")
				5 ft (60")
				4 ft (48")
				3 ft (36")
				2 ft (24")

- (1) Use BKTCE and BKTAT brackets with "Open Inlet" style enclosure only.  
 (2) Use BKTEO bracket with "Closed Inlet" style enclosure only.  
 (3) "Keyed" access doors require a key to open/close. "Slotted" access doors have an easy access slot to open/close.  
 (4) Access doors are shipped loose for field mounting. Enclosure must have a flat surface large enough to accept access door (7.5"x7.5").







**JOB NAME:** \_\_\_\_\_ **DATE:** \_\_\_\_\_  
**JOB No.:** \_\_\_\_\_ **ISSUED BY:** \_\_\_\_\_  
**PO No.:** \_\_\_\_\_ **TAG:** \_\_\_\_\_

### ENCLOSURE TYPE (SELECT ONE OPTION PER LINE OR FILL CUSTOM OPTION)

STYLE	<input type="checkbox"/> S			
HEIGHT	<input type="checkbox"/> 10"	<input type="checkbox"/> 12"		<input type="checkbox"/> Custom _____
OUTLET	<input type="checkbox"/> Louvers (std)			<input type="checkbox"/> Custom _____
INLET	<input type="checkbox"/> Open (std)			<input type="checkbox"/> Custom _____
CONTROL	<input type="checkbox"/> None (std)			<input type="checkbox"/> Custom _____
MATERIAL	<input type="checkbox"/> Steel (std)	<input type="checkbox"/> Stainless		<input type="checkbox"/> Custom _____
GAUGE	<input type="checkbox"/> 16Ga (std)	<input type="checkbox"/> 18Ga	<input type="checkbox"/> 14Ga	<input type="checkbox"/> Custom _____
FINISH	<input type="checkbox"/> Primer Finish	<input type="checkbox"/> Sigma Color _____		<input type="checkbox"/> Custom _____

### ENCLOSURE PANELS

QUANTITY	MODEL	DESCRIPTION
	PNL72	6.0Ft (72") Panel
	PNL66	5.5Ft (66") Panel
	PNL60	5.0Ft (60") Panel
	PNL54	4.5Ft (54") Panel
	PNL48	4.0Ft (48") Panel
	PNL42	3.5Ft (42") Panel
	PNL36	3.0Ft (36") Panel
	PNL30	2.5Ft (30") Panel
	PNL24	2.0Ft (24") Panel
	PNL18	1.5Ft (18") Panel
	PNL12	1.0Ft (12") Panel
	TR2 <sup>(2)</sup>	2" Trim
	BKTCE <sup>(1)</sup>	Cabinet/Element Brackets
	BP72	6Ft (72") Lengths of Back Panel

### ENCLOSURE ACCESSORIES

QUANTITY	MODEL	DESCRIPTION
	ECFMRH	Right Hand Flush Mount End Cap
	ECFMLH	Left Hand Flush Mount End Cap
	ECOVRH7	Right Hand 7" Overlapping End Cap
	ECOVRH4	Right Hand 4" Overlapping End Cap
	ECOVLH7	Left Hand 7" Overlapping End Cap
	ECOVLH4	Left Hand 4" Overlapping End Cap
	TR7	7" Trim
	TR4	4" Trim
	IC90	90 Degree Inside Corner
	OC90	90 Degree Outside Corner
	IC135	135 Degree Inside Corner
	OC135	135 Degree Outside Corner
	SPCL-CRNR	Special Corner _____
	FLDKAD <sup>(3,4)</sup>	Field Mounted Keyed Access Door
	FLDSAD <sup>(3,4)</sup>	Field Mounted Slotted Access Door

### ELEMENT

SELECT ONE	MODEL	DESCRIPTION	QUANTITY	LENGTHS
<input type="checkbox"/>	24C075	0.75" Cu Tube, 2.75"x4.00" Al Fin, 48 FPF		8 ft (96")
<input type="checkbox"/>	24C100	1.00" Cu Tube, 2.75"x4.00" Al Fin, 48 FPF		7 ft (84")
<input type="checkbox"/>	24C125	1.25" Cu Tube, 2.75"x4.00" Al Fin, 48 FPF		6 ft (72")
				5 ft (60")
				4 ft (48")
				3 ft (36")
				2 ft (24")

- (1) Minimum of 2 brackets per panel.
- (2) Use 2" Trims in lieu of internal panel joiners.
- (3) "Keyed" access doors require a key to open/close. "Slotted" access doors have an easy access slot to open/close.
- (4) Access doors are shipped loose for field mounting. Enclosure must have a flat surface large enough to accept access door (7.5"x7.5").



# Order Form

# Wallfin SBBW

**JOB NAME:** \_\_\_\_\_ **DATE:** \_\_\_\_\_  
**JOB NO.:** \_\_\_\_\_ **ISSUED BY:** \_\_\_\_\_  
**PO No.:** \_\_\_\_\_ **TAG:** \_\_\_\_\_

### ENCLOSURE TYPE (SELECT ONE OPTION PER LINE OR FILL CUSTOM OPTION)

STYLE	<input type="checkbox"/> S		
HEIGHT	<input type="checkbox"/> 10"	<input type="checkbox"/> 12"	<input type="checkbox"/> Custom _____
OUTLET	<input type="checkbox"/> Louvers (std)		<input type="checkbox"/> Custom _____
INLET	<input type="checkbox"/> Open (std)		<input type="checkbox"/> Custom _____
CONTROL	<input type="checkbox"/> None (std)		<input type="checkbox"/> Custom _____
MATERIAL	<input type="checkbox"/> Steel (std)	<input type="checkbox"/> Stainless	<input type="checkbox"/> Custom _____
GAUGE	<input type="checkbox"/> 16Ga (std)	<input type="checkbox"/> 18Ga	<input type="checkbox"/> 14Ga <input type="checkbox"/> Custom _____
FINISH	<input type="checkbox"/> Primer Finish	<input type="checkbox"/> Sigma Color _____	<input type="checkbox"/> Custom _____

### ENCLOSURE PANELS

QUANTITY	MODEL	DESCRIPTION
	PNL72	6.0Ft (72") Panel
	PNL66	5.5Ft (66") Panel
	PNL60	5.0Ft (60") Panel
	PNL54	4.5Ft (54") Panel
	PNL48	4.0Ft (48") Panel
	PNL42	3.5Ft (42") Panel
	PNL36	3.0Ft (36") Panel
	PNL30	2.5Ft (30") Panel
	PNL24	2.0Ft (24") Panel
	PNL18	1.5Ft (18") Panel
	PNL12	1.0Ft (12") Panel
	TR2 <sup>(2)</sup>	2" Trim
	BKTCE <sup>(1)</sup>	Cabinet/Element Brackets
	BP72	6Ft (72") Lengths of Back Panel

### ENCLOSURE ACCESSORIES

QUANTITY	MODEL	DESCRIPTION
	ECFMRH	Right Hand Flush Mount End Cap
	ECFMLH	Left Hand Flush Mount End Cap
	ECOVRH7	Right Hand 7" Overlapping End Cap
	ECOVRH4	Right Hand 4" Overlapping End Cap
	ECOVLH7	Left Hand 7" Overlapping End Cap
	ECOVLH4	Left Hand 4" Overlapping End Cap
	TR7	7" Trim
	TR4	4" Trim
	IC90	90 Degree Inside Corner
	OC90	90 Degree Outside Corner
	IC135	135 Degree Inside Corner
	OC135	135 Degree Outside Corner
	SPCL-CRNR	Special Corner _____
	FLDKAD <sup>(3,4)</sup>	Field Mounted Keyed Access Door
	FLDSAD <sup>(3,4)</sup>	Field Mounted Slotted Access Door

### ELEMENT

SELECT ONE	MODEL	DESCRIPTION	QUANTITY	LENGTHS
<input type="checkbox"/>	24C075	0.75" Cu Tube, 2.75"x4.00" Al Fin, 48 FPF		8 ft (96")
<input type="checkbox"/>	24C100	1.00" Cu Tube, 2.75"x4.00" Al Fin, 48 FPF		7 ft (84")
<input type="checkbox"/>	24C125	1.25" Cu Tube, 2.75"x4.00" Al Fin, 48 FPF		6 ft (72")
<input type="checkbox"/>	44C075	0.75" Cu Tube, 4.00"x4.00" Al Fin, 48 FPF		5 ft (60")
<input type="checkbox"/>	44C100	1.00" Cu Tube, 4.00"x4.00" Al Fin, 48 FPF		4 ft (48")
<input type="checkbox"/>	44C125	1.25" Cu Tube, 4.00"x4.00" Al Fin, 48 FPF		3 ft (36")
<input type="checkbox"/>	S125-4x4	1.25" Steel Tube, 4.25"x4.25" Steel Fin, 40 FPF		2 ft (24")

- (1) Minimum of 2 brackets per panel.
- (2) Use 2" Trims in lieu of internal panel joiners.
- (3) "Keyed" access doors require a key to open/close. "Slotted" access doors have an easy access slot to open/close.
- (4) Access doors are shipped loose for field mounting. Enclosure must have a flat surface large enough to accept access door (7.5"x7.5").

